



commercial/residential catalog
u.s. manufactured since 1969
trim-tex.com 1-800-874-2333

52

TRIM-TEX[™]
DRYWALL SOLUTIONS

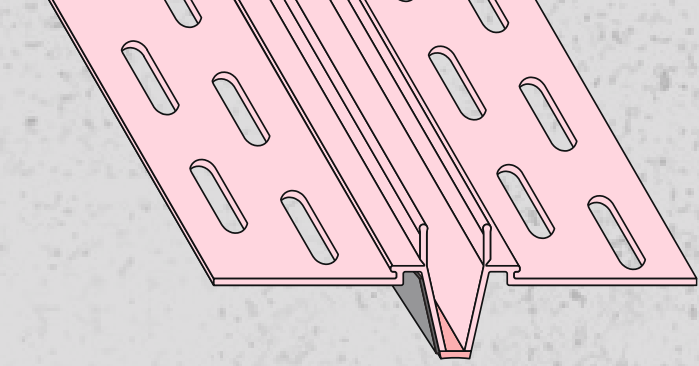


SUPERIOR SOLUTIONS

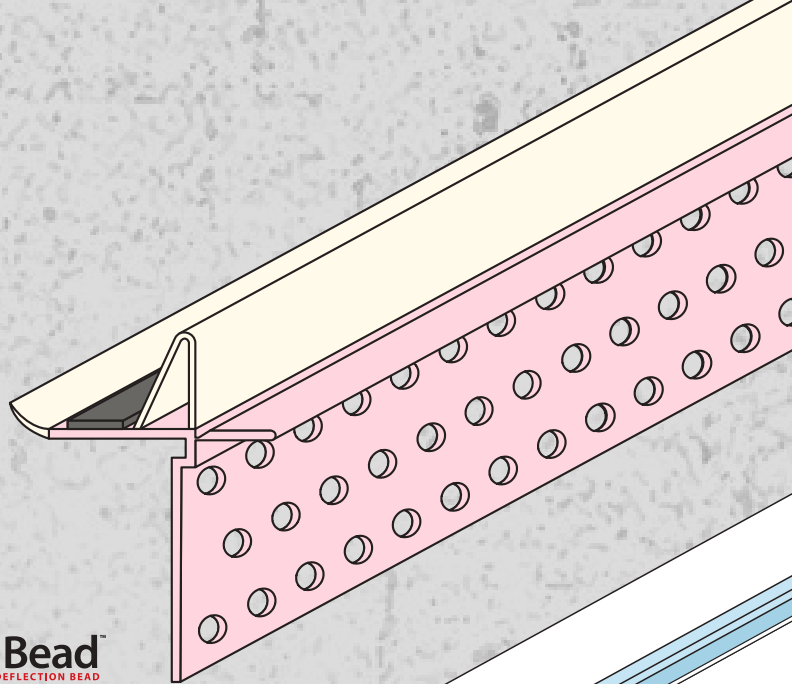
Trim-Tex is the proud US manufacturer of the world's strongest and most versatile line of corner beads. Made from a proprietary blend of 70% recycled rigid vinyl materials, Trim-Tex corner beads support responsible building practices and will never dent or rust. Since 1969, we have been creating interior finishing solutions alongside contractors, architects, and engineers that save you time and money on the job.

To see and feel the benefits of our products first-hand, request a 9-inch sample from the comprehensive online catalog at www.trim-tex.com. Our award winning customer service team is available to answer your questions and assist in getting you the product you need. With same day shipping and over 700 different products in stock, we can help you prevent jobsite delays.

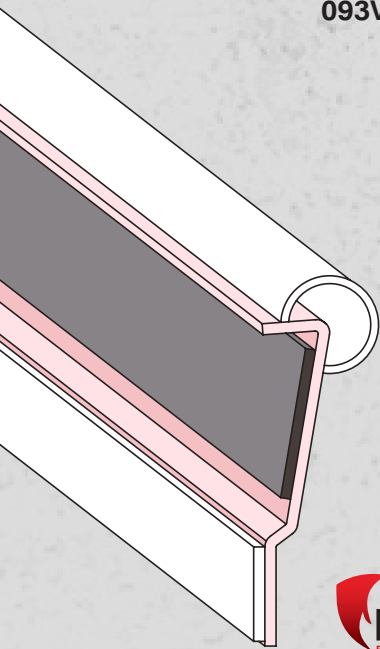
Whether you need one box or a truckload, Trim-Tex has you covered.



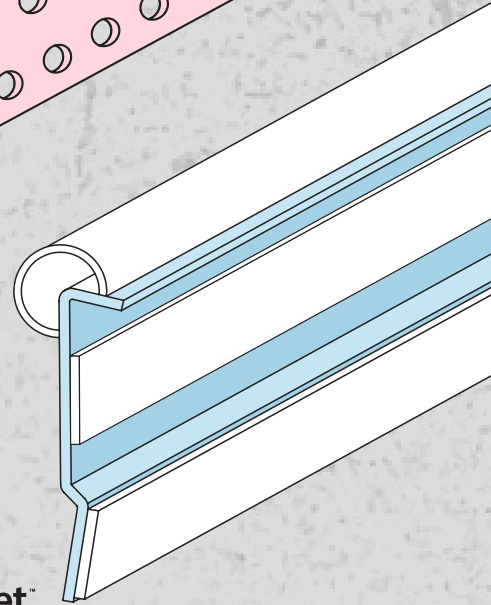
Fire Rated
093V Expansion



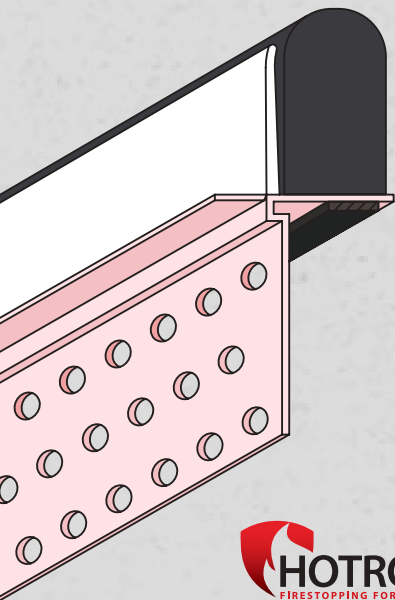
 **Fire Bead™**
FIRE RATED DEFLECTION BEAD



 **Fire Gasket™**
FIRESTOPPING FOR BUILDING JOINTS



 **Sound Gasket™**
SOUND ABATEMENT FOR BUILDING JOINTS



 **HOTROD™ XL**
FIRESTOPPING FOR BUILDING JOINTS

NEW!

CODE COMPLIANCE

Trim-Tex is proud to offer the first-ever family of fire and sound rated drywall accessories on the market. These groundbreaking products will help contractors and architects be compliant with building codes for smoke and sound ratings, while enabling them to throw out finicky sealants that will shrink and harden with age; instead, these vinyl drywall accessories are designed to last for the entire lifetime of the assembly.

SHADOWS & REVEALS RADIUS CHART

These tables identify the minimum inside and outside radius a Shadow or Reveal bead requires to finish cleanly.

Inside: anything less than the minimum number will not work.

Outside: anything greater than the minimum number listed will not work.

REVEALS			
STOCK NO.	A+B SIZE	INSIDE	OUTSIDE
AS5150	¼" x ¼"	1'	1'
AS5170	¼" x ¾"	2'	2'
AS5130	⅜" x ⅜"	1'	2'
AS5160	½" x ¼"	6'	3'
AS5110	½" x ½"	6'	3'
AS5210	½" x ¾"	8'	6'
AS5310	½" x 1"	9'	4'
AS5315	½" x 2"	30'	15'
AS5320	⅝" x ½"	8'	4'
AS5325	⅝" x ⅝"	9'	4'
AS5330	⅝" x ¾"	17'	6'
AS5340	⅝" x 1"	24'	12'
AS5345	⅝" x 1½"	28'	12'
AS5350	⅝" x 2"	30'	15'
AS5110S	½" x ½"	6'	3'
AS5210S	½" x ¾"	8'	6'
AS5310S	½" x 1"	9'	4'
AS5320S	⅝" x ½"	8'	4'
AS5330S	⅝" x ¾"	17'	6'
AS5340S	⅝" x 1"	24'	12'



Z SHADOW			
STOCK NO.	A+B SIZE	INSIDE	OUTSIDE
AS5450	¼" x ½"	12'	20'
AS5410	½" x ¼"	12'	20'
AS5510	½" x ½"	12'	20'
AS5610	½" x ¾"	12'	20'
AS5650	½" x 1"	20'	40'
AS5710	⅝" x ¼"	12'	20'
AS5750	⅝" x ⅜"	12'	20'
AS5810	⅝" x ½"	20'	25'
AS6010	⅝" x ⅝"	20'	25'
AS5910	⅝" x ¾"	20'	25'
AS5960	⅝" x 1¼"	30'	60'
AS5510S	½" x ½"	12'	20'



F REVEALS			
STOCK NO.	A+B SIZE	INSIDE	OUTSIDE
AS8710	½" x ½"	7'	6'
AS8720	⅜" x ⅜"	5'	4'
AS8730	½" x ¾"	7'	6'
AS8740	½" x 1"	8'	6'
AS8750	⅝" x ⅝"	9'	7'

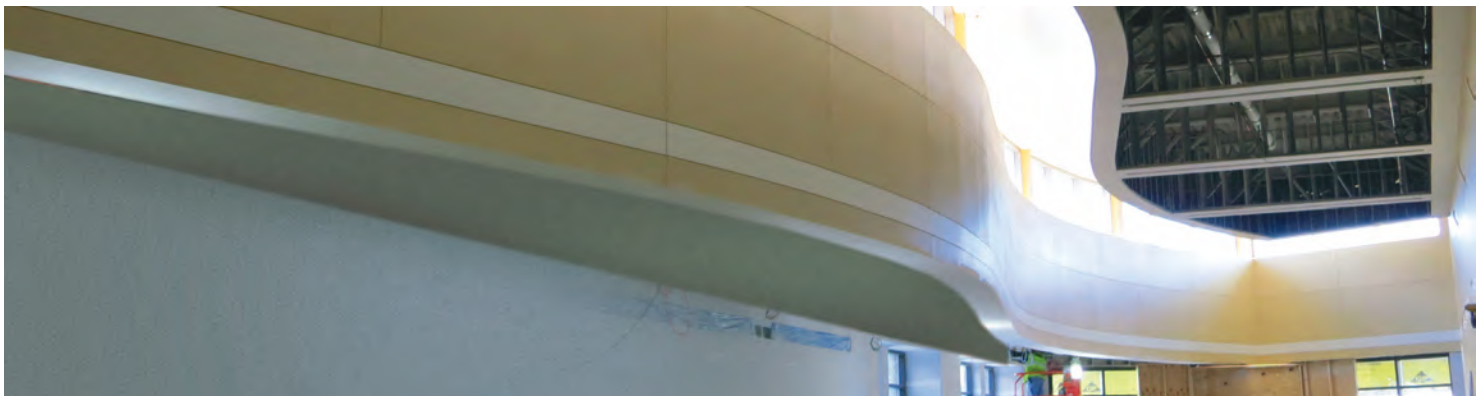
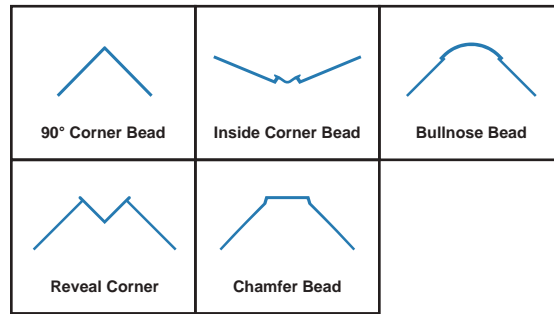


TABLE OF CONTENTS

Corner Beads

Fast Edge® Corners.....	4
Standard Corner Beads.....	4-8
Inside Corners.....	9-10
Bullnose Beads.....	11-16
Chamfer Beads.....	17-18
Decorative Corner Beads.....	19



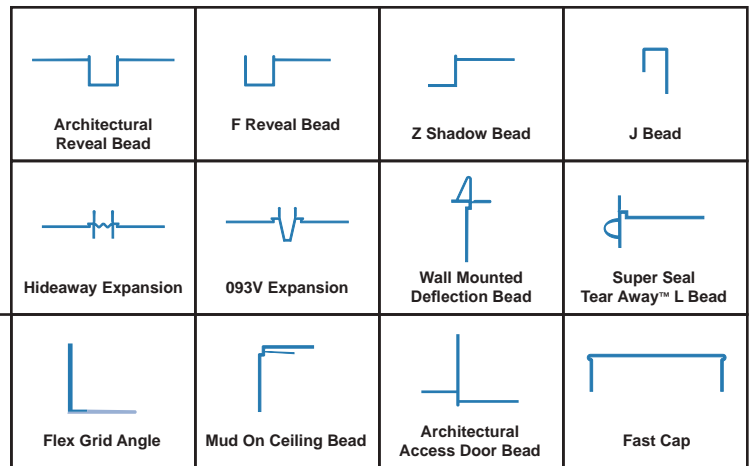
Code Compliance

UL Fire Rated.....	21
Sound Rated.....	22



Commercial Beads

Shadow & Reveal Beads.....	24-25
J Beads.....	26
Expansion Beads.....	27
Deflection Beads.....	28
L Beads.....	29-30
Tear Away® Beads.....	31-32
Acoustical & Ceiling Beads.....	33
Fast Cap Beads.....	34



Tools & Accessories

Adhesives & Installation Products.....	36	Backing Products.....	40
Stapling Products.....	37	Mud Set Tools.....	41-42
Abrasives.....	38-39	Flat Access Door Panels.....	43



Corner Beads

A world of endless possibilities

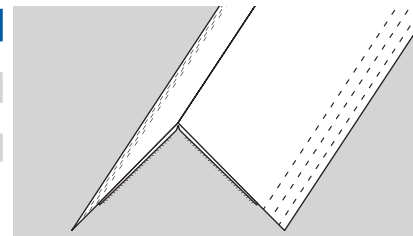


FAST EDGE®

Fast Edge®

- Sharp nose with no mud bump, no holes, and tapered legs to significantly reduce mud usage and speed up installation time
- The nose also acts as a hinge to accommodate framing variances
- The laminated paper covering alongside patented Mud Lock Technology® keeps corner held firmly in place without need of staples or adhesives
- For information on paperless Fast Edge please contact our Customer Service team.

STOCK NO.	LENGTH	PCS. PER BOX
FEP08	8'	50
FEP09	9'	50
FEP10	10'	50
FEP12	12'	50



MUD LOCK TECHNOLOGY®
FOR MORE BONDING SURFACE

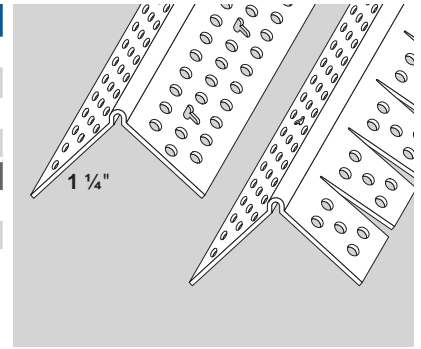


STANDARD CORNERS

Corner Bead & Archway

- Original corner bead design featuring a slight radius on nose
- Archway minimum 10" inside radius or 18" outside radius

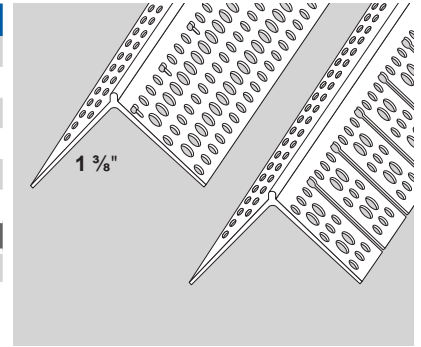
STOCK NO.	LENGTH	PCS. PER BOX
4008	8'	50
4009	9'	50
4010	10'	50
4012	12'	50
ARCHWAY		
4108	8'	50
4110	10'	50



Rigid Low Profile Corner Bead & Archway

- Lower nose profile requires less compound to finish
- Archway minimum 10" inside radius or 22" outside radius
- Closed Angle (CA) features a slightly tighter angle for easier finishing on uneven framing

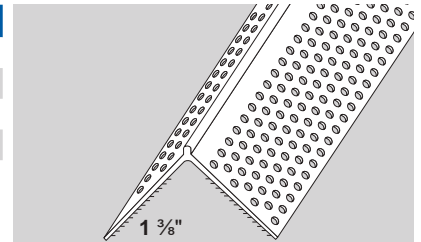
STOCK NO.	LENGTH	PCS. PER BOX
R008LP	8'	45
R009LP	9'	45
R010LP	10'	45
R008CA	8'	45
R009CA	9'	45
R010CA	10'	45
ARCHWAY		
RA10LP	10'	45



Mud Set Rigid Low Profile Corner Bead

- 1 3/8" mud-legs are wider than standard metal corner bead for a stronger bond
- Compatible with all hoppers and most roller tools
- Features Mud Lock Technology® with 3X the bonding surface for easy mud set installation

STOCK NO.	LENGTH	PCS. PER BOX
MSR008LP	8'	50
MSR009LP	9'	50
MSR010LP	10'	50
MSR012LP	12'	50

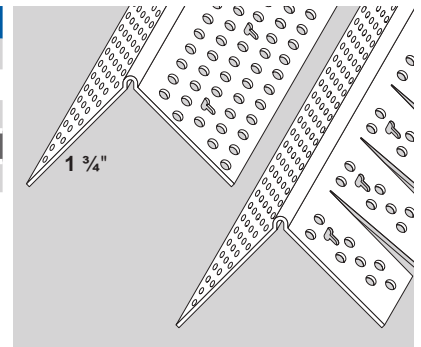


MUD LOCK TECHNOLOGY®
FOR MORE BONDING SURFACE

Jumbo Corner Bead & Archway

- Original corner bead design featuring a slight radius on nose
- 1 3/4" extra wide mud legs
- Will finish up to two layers of 5/8" drywall
- Helps prevent cracking on lofts, balconies, and all bridging
- Archway minimum 12" inside or 26" outside radius

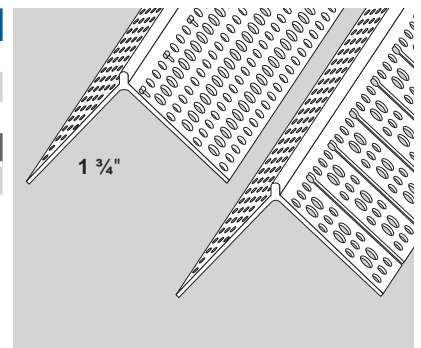
STOCK NO.	LENGTH	PCS. PER BOX
J008	8'	40
J009	9'	40
J010	10'	40
ARCHWAY		
JA10	10'	40



Rigid Jumbo Low Profile & Archway

- 1 3/4" extra wide mud legs
- Will finish up to two layers of 5/8" drywall
- Ideal for Level 5 finishing in schools, hospitals, office buildings and more
- Archway minimum 16" inside radius or 24" outside radius
- Closed Angle (CA) features a slightly tighter angle for easier finishing on uneven framing

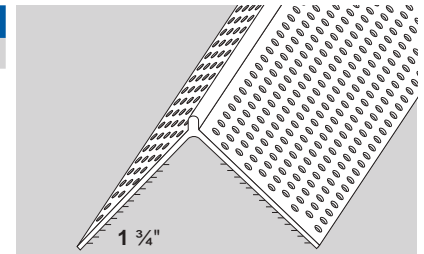
STOCK NO.	LENGTH	PCS. PER BOX
RJ08LP	8'	45
RJ10LP	10'	45
RJ10CA	10'	45
ARCHWAY		
RJA10LP	10'	45



Mud Set Rigid Jumbo Low Profile Corner Bead

- Extra wide 1 3/4" mud legs
- Easily finishes two layers of 5/8" drywall
- Ideal for Level 5 finishing in schools, hospitals, office buildings and more
- Features Mud Lock Technology® with 3X the bonding surface for easy mud set installation

STOCK NO.	LENGTH	PCS. PER BOX
MSRJ10LP	10'	50

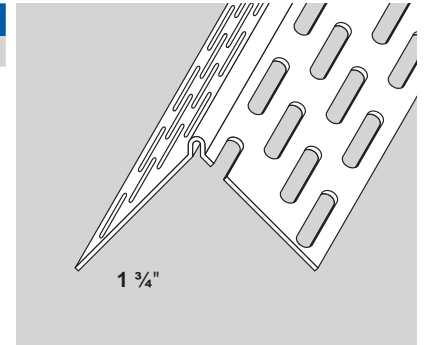


MUD LOCK TECHNOLOGY®
FOR MORE BONDING SURFACE

Skim Coat Plaster Corner Bead

- Designed to be used with skim coat veneers and EIFS
- Formulated with additional impact modifiers
- Taller 5/32" mud bump for skim coat or exterior acrylic finishes

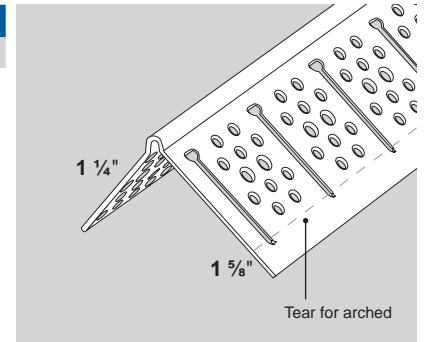
STOCK NO.	LENGTH	PCS. PER BOX
S010	10'	40



Arch Plus 90° Combo Bead

- Two products in one, remove tear off strip to transform straight corner bead into archway bead
- Archway minimum 10" inside radius or 18" outside radius

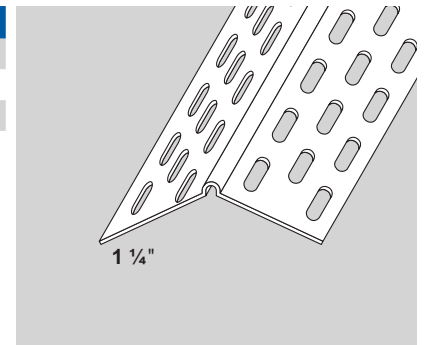
STOCK NO.	LENGTH	PCS. PER BOX
4050	10'	40



Outside Splayed Corner Bead

- Original corner bead design featuring a slight radius on nose
- Fits splayed outside corner angles from 120° to 140°

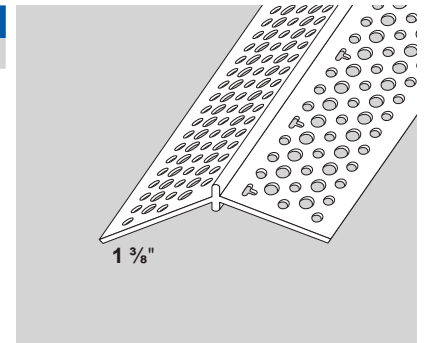
STOCK NO.	LENGTH	PCS. PER BOX
4208	8'	70
4209	9'	70
4210	10'	70



Rigid Splayed Adjustable Corner Bead

- Hinged design allows the bead to adjust to finish an outside corner from 115° to 155°

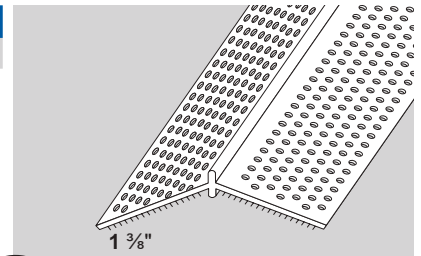
STOCK NO.	LENGTH	PCS. PER BOX
RS10	10'	40



Mud Set Adjustable Splayed Corner

- Hinged design allows the bead to adjust to finish an outside corner from 115° to 155°
- Features Mud Lock Technology® with 3X the bonding surface for easy mud set installation

STOCK NO.	LENGTH	PCS. PER BOX
MSRS10	10'	25

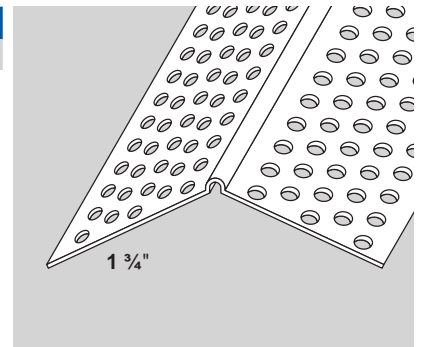


MUD LOCK TECHNOLOGY®
FOR MORE BONDING SURFACE

Jumbo Splayed Corner Bead

- Original corner bead design featuring a slight radius on nose
- Fits splayed outside corner angles from 120° to 140°
- 1 3/4" extra wide mud legs

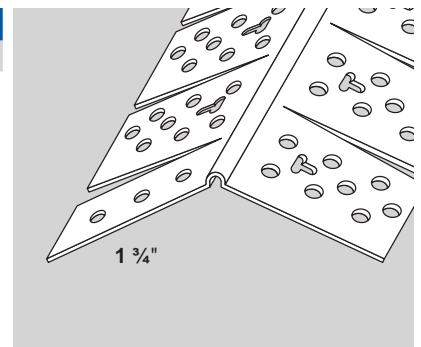
STOCK NO.	LENGTH	PCS. PER BOX
JS10	10'	40



Jumbo Splayed Double Arch

- Fits splayed outside corner angles from 120° to 140°
- 1 3/4" extra wide mud legs with alternating notches on both sides for extreme flexibility
- Perfect for spiraling arches or groin vaults
- Archway minimum 12" inside radius or 15" outside radius

STOCK NO.	LENGTH	PCS. PER BOX
JSA10	10'	40



ARTY QUICK TIP #1:

Don't forget to install the drywall with proper setback for your chosen bead. See the setback guides at the beginning of each section for best results.



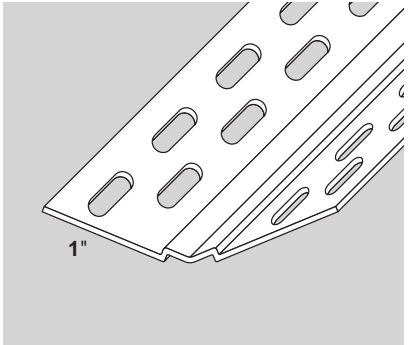


INSIDE CORNERS

Adjustable Inside Corner Bead

- Designed to create inside corners that are straighter and sharper than paper tape for crisp paint lines
- Hinge design allows the bead to adjust from a 70° to a 150° inside corner

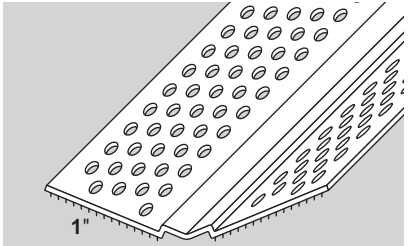
STOCK NO.	LENGTH	PCS. PER BOX
4308	8'	70
4310	10'	70



Mud Set Adjustable Inside Corner

- Hinged design allows bead to adjust to finish inside corners from 70° to 150°
- Creates a sharper finish than paper tape
- Features Mud Lock Technology® with 3X the bonding surface for easy mud set installation

STOCK NO.	LENGTH	PCS. PER BOX
MS4310	10'	50

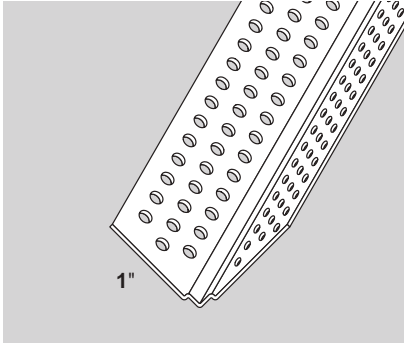


MUD LOCK TECHNOLOGY®
FOR MORE BONDING SURFACE

90° Inside Corner Bead

- Designed to create inside corners that are straighter and sharper than paper tape for crisp paint lines
- Use to finish wall niches quickly and easily
- Archway minimum 36" inside radius or 36" outside radius

STOCK NO.	LENGTH	PCS. PER BOX
4350	10'	40



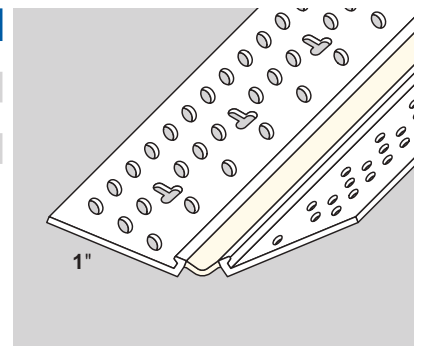


MAGIC CORNER™

Magic Corner™

- Use on any inside corner where movement is an issue to prevent cracking
- Eliminates edge cracking on all off-angle walls and vaulted ceilings
- Up to 3/8" in controlled movement
- Includes free installation tool

STOCK NO.	LENGTH	PCS. PER BOX
4368	8'	50
4366	10'	50
4320	200'	1 Roll
4325K	100', 847 Spray	1 Roll





BULLNOSE BEADS

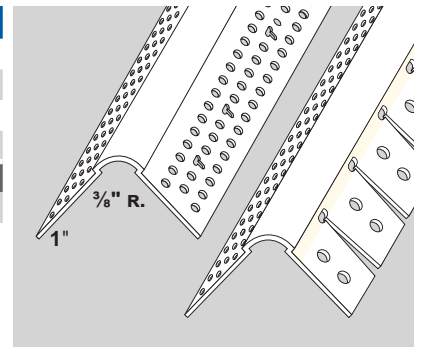


350 BULL®

350 Bull® Corner Bead & Archway

- Features a $\frac{3}{8}$ " radius & extra long legs that allow 350 Bull® to absorb extreme impact
- No exposed notches on face of bead to fill
- Archway minimum 15" inside radius or 24" outside radius

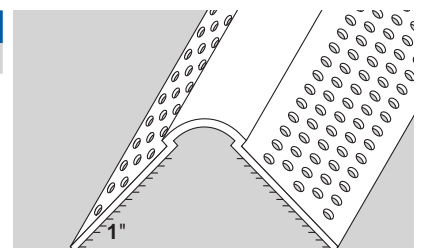
STOCK NO.	LENGTH	PCS. PER BOX
35008	8'	35
35009	9'	35
35010	10'	35
35012	12'	35
ARCHWAY		
35020	10'	25



Mud Set 350 Bull® Corner Bead

- Absorbs the most impact of all Trim-Tex beads
- Creates a soft rounded corner that is an alternative to 90° corner bead
- Mud Set 350 Bull® Beads work with all 350 Bull® products and accessories
- Features Mud Lock Technology® with 3X the bonding surface for easy mud set installation

STOCK NO.	LENGTH	PCS. PER BOX
MS35010	10'	50

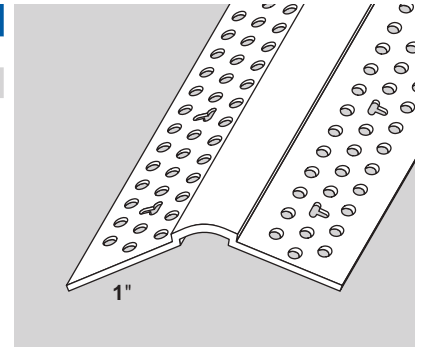


MUD LOCK TECHNOLOGY®
FOR MORE BONDING SURFACE

350 Bull® Splayed Corner Bead

- Designed for finishing off-angle walls
- Works with stock #921 off-angle 3-Way molded corner

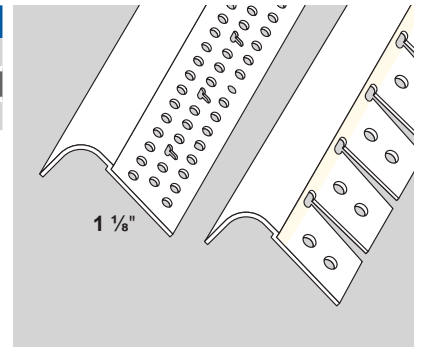
STOCK NO.	LENGTH	PCS. PER BOX
35038	8'	35
35030	10'	35



350 Bull® Kerfed & Archway

- Leg can be inserted into the channel of many pre-formed door and window jambs
- No exposed notches on face of bead to fill
- Archway minimum 15" inside radius or 36" outside radius

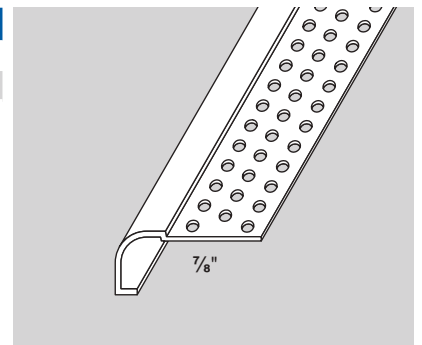
STOCK NO.	LENGTH	PCS. PER BOX
35080	10'	35
ARCHWAY		
35180	10'	25



350 Bull® L Bead

- Works just like J Round or Chamfer Stop, but with a rounded edge to match the 350 Bull® series
- Perfect for decorative layers or for a clean finished look around windows and doors

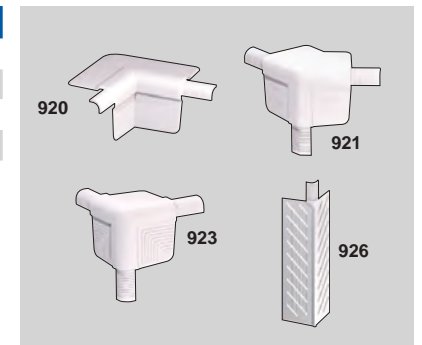
STOCK NO.	SIZE	LENGTH	PCS. PER BOX
35040	1/4"	10'	35
35050	5/8"	10'	35



350 Bull® Molded Corners & Base Adapter

- Quickly finish corners where multiple beads meet with a molded corner
- Base Adapter transitions bead to a 90° corner for installing baseboard or crown molding

STOCK NO.	350 BULL® STYLE	PCS. PER BOX
920	2-Way Inside	50
921	Off-Angle 3 Way	50
923	3-Way	50
926	6 1/2" Base Adapter	50

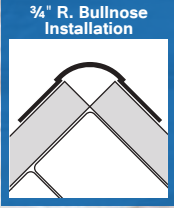


350 Bull® Miter Marker

- Cut perfect miters with the Miter Marker

STOCK NO.	350 BULL® STYLE	PCS. PER BOX
922M	Miter Marker	10



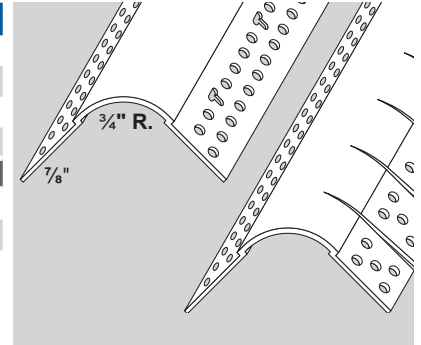


3/4" R. BULLNOSE

3/4" R. Bullnose Corner Bead & Archway

- Softens corners and adds a traditional look
- Archway minimum 15" inside radius or 20" outside radius

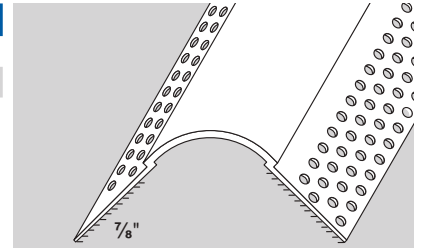
STOCK NO.	LENGTH	PCS. PER BOX
7008	8'	35
7009	9'	35
7010	10'	35
7012	12'	35
ARCHWAY		
7108	8'	35
7110	10'	35



Mud Set 3/4" R. Bullnose Corner Bead

- Creates the softest rounded corner look and the strongest bond of all corner beads
- 3/4" Mud Set Bullnose works with all 3/4" bullnose products and accessories
- Features Mud Lock Technology® with 3X the bonding surface for easy mud set installation

STOCK NO.	LENGTH	PCS. PER BOX
MS7009	9'	40
MS7010	10'	40

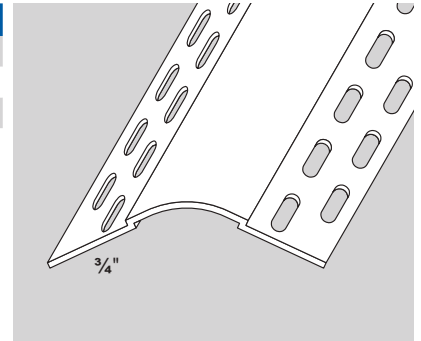


MUD LOCK TECHNOLOGY®
FOR MORE BONDING SURFACE

3/4" R. Bullnose Splayed Corner Bead

- Designed to fit off-angle 135° outside corners

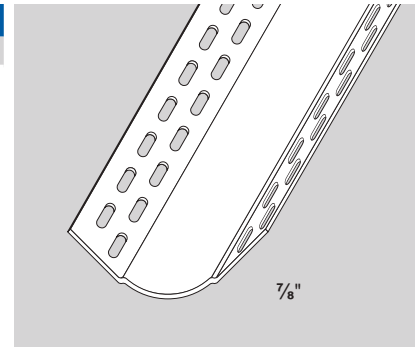
STOCK NO.	LENGTH	PCS. PER BOX
7308	8'	35
7309	9'	35
7310	10'	35



Inside 3/4" R. Bullnose Corner Bead

- Inside 3/4" R. Bullnose Corner Bead is designed to finish inside 90° corners

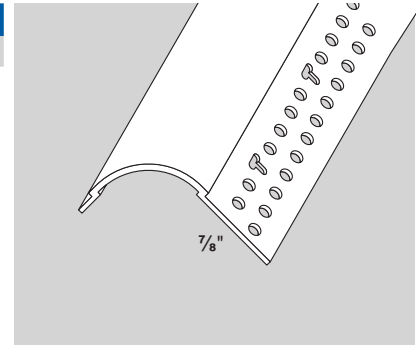
STOCK NO.	LENGTH	PCS. PER BOX
7210	10'	35



3/4" R. Traditional Bullnose Kerfed Bead

- 5/16" leg can be inserted into the channel of many preformed door and window jambs
- Features a small stepped return leg
- Creates attractive rounded encasement

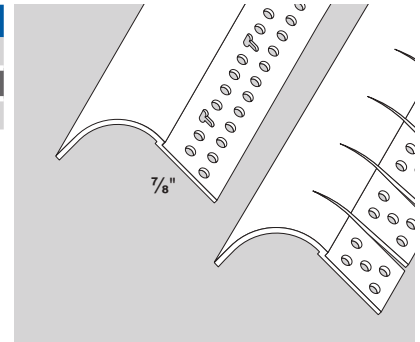
STOCK NO.	LENGTH	PCS. PER BOX
7080T	10'	35



3/4" R. Bullnose Kerfed Bead & Archway

- Leg can be inserted into the channel of many preformed door and window jambs
- Creates attractive rounded encasement
- Archway minimum 15" inside radius or 20" outside radius

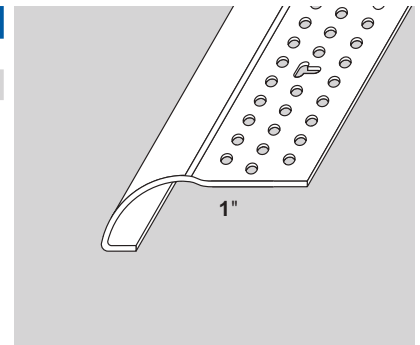
STOCK NO.	LENGTH	PCS. PER BOX
7080	10'	35
ARCHWAY		
7180	10'	35



3/4" R. J Round

- J Round is designed to be installed after the drywall
- There is no need to wrap the bead behind the drywall
- Ideal for finishing window and door openings, and drywall build-outs

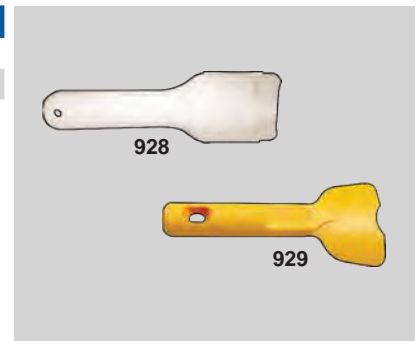
STOCK NO.	SIZE	LENGTH	PCS. PER BOX
7410	1/2"	10'	30
7510	5/8"	10'	30



Finishing and Cleaning Tools

- The Finishing Tool has a soft edge to easily wipe excess compound from archway bead
- The Cleaning Tool wipes excess compound from 3/4" R. Bullnose & Splayed to minimize sanding

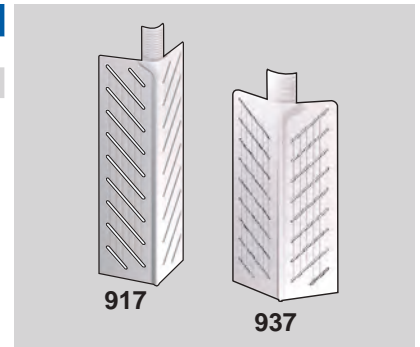
STOCK NO.	3/4" R. STYLE	PCS. PER BOX
928	Finishing Tool	12
929	Cleaning Tool	10



6 1/2" Base Adapters

- Base adapters transition bead to a 90° corner for installing baseboard

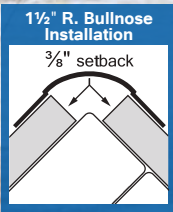
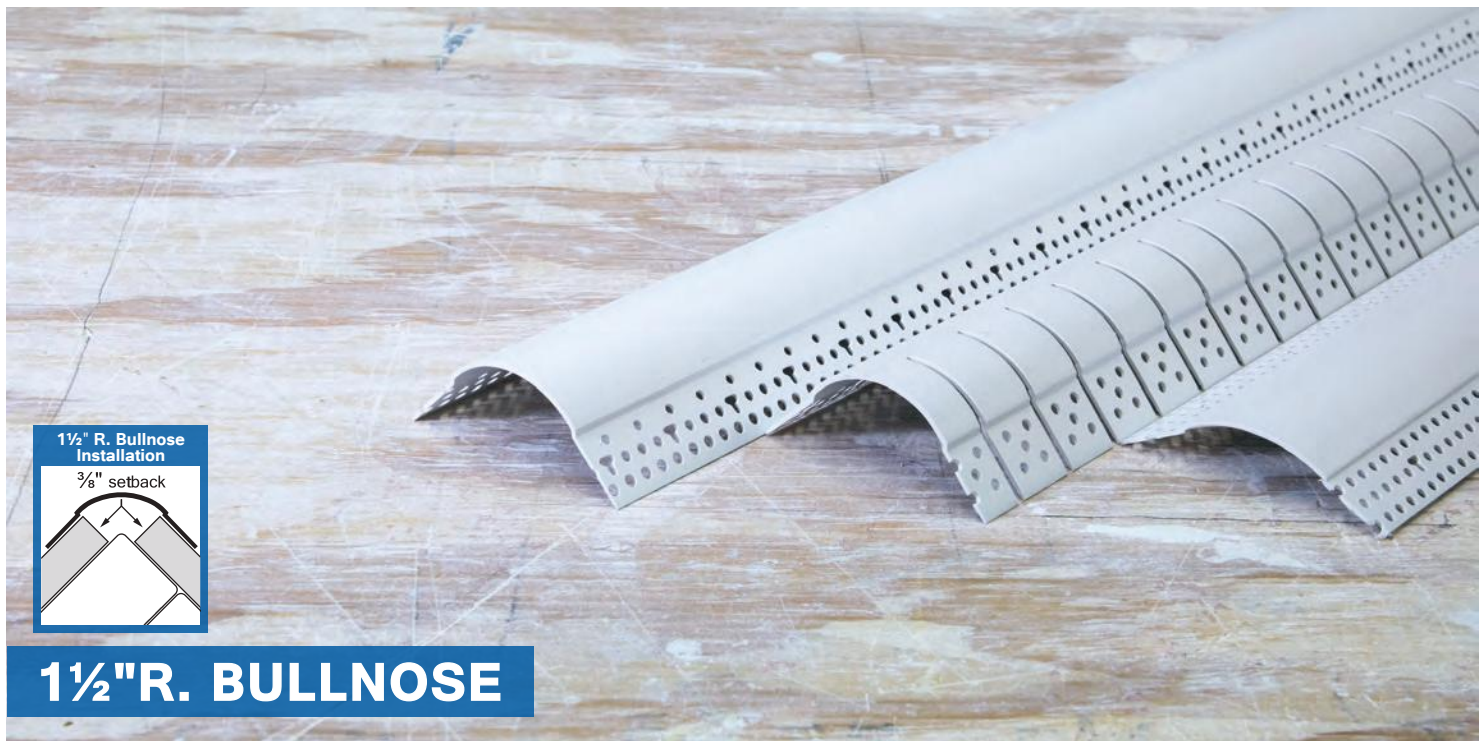
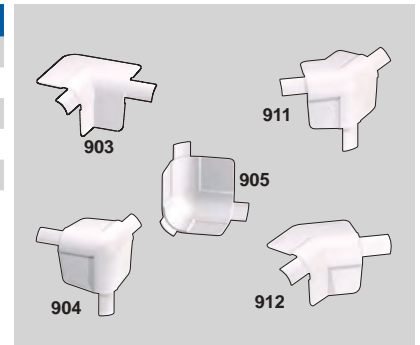
STOCK NO.	3/4" R. STYLE	PCS. PER BOX
917	6 1/2" Base Adapter	50
937	6 1/2" Splayed Base Adapter	50



3/4" R. Molded Corners

- Quickly finish corners where multiple beads meet with a molded corner

STOCK NO.	3/4" R. STYLE	PCS. PER BOX
903	2-Way	50
904	3-Way Outside	50
905	3-Way Inside	50
911	3-Way Off Angle	50
912	2-Way Off Angle	50

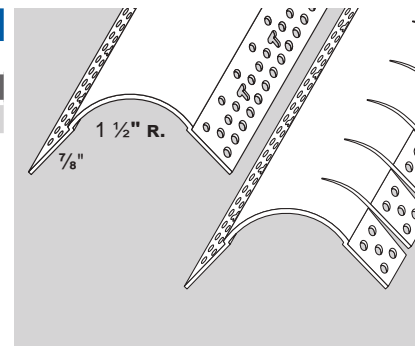


1 1/2" R. BULLNOSE

1 1/2" R. Bullnose Outside Corner Bead & Archway

- Our largest bullnose profile creates sweeping rounded edges
- Archway minimum 18" inside radius or 30" outside radius

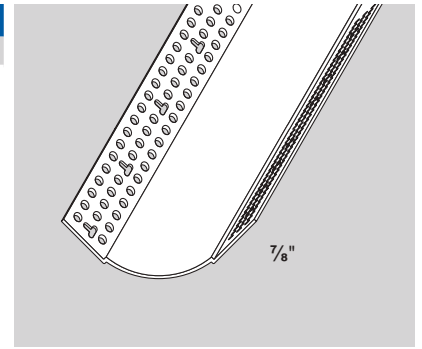
STOCK NO.	LENGTH	PCS. PER BOX
7099	10'	30
ARCHWAY		
7199	10'	30



1 1/2" R. Bullnose Inside Corner Bead

- 1 1/2" R. Bullnose Inside Corner Bead is designed to finish inside 90° corners

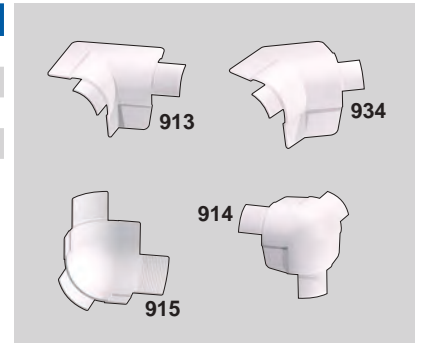
STOCK NO.	LENGTH	PCS. PER BOX
7066	10'	30



1 1/2" R. Bullnose Molded Corners & Accessories

- Quickly finish corners where multiple beads meet with a molded corner

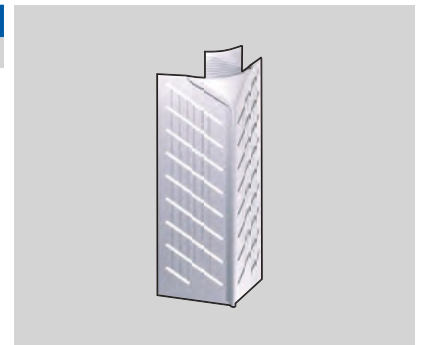
STOCK NO.	1 1/2" R. STYLE	PCS. PER BOX
913	2-Way	35
914	3-Way Outside	50
915	3-Way Inside	50
934	Off-Angle 2-Way	50



6 1/2" Base Adapter

- Base adapters transition bead to a 90° corner for installing baseboard

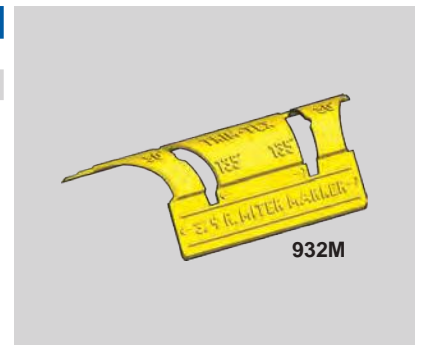
STOCK NO.	1 1/2" R. STYLE	PCS. PER BOX
916	6 1/2" Base Adapter	35



3/4" & 1 1/2" Bullnose Miter Marker

- For 90° & 135° off-angle inside corners as well as alignment marks for finishing door & window openings, the tools work on all 3/4" & 1 1/2" Bullnose products, including Bullnose; Corner Bead, Super & Giant L Beads, & Fast Cap
- *Note: 1 1/2" Miter Marker Tool only includes marking for 90° corners

STOCK NO.	SIZE	PCS. PER BOX
932M	3/4"	10
933	1 1/2"	5



Finishing Tool

- The Finishing Tool wipes excess mud off of the nose of the bead while helping to fill the archway notches

STOCK NO.	1 1/2" R. STYLE	PCS. PER BOX
927	Finishing Tool	5



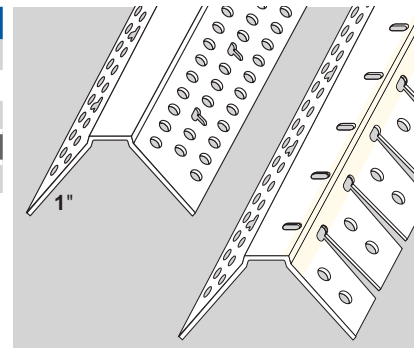


CHAMFER BEADS®

350 Chamfer Bead® & Archway

- Adds a 3/4" wide chamfer edge to produce a crisp look with stylish shadows
- Archway minimum 14" inside radius or 24" outside radius

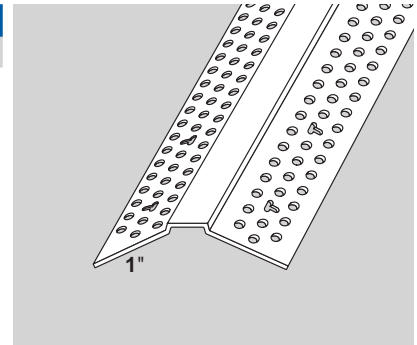
STOCK NO.	LENGTH	PCS. PER BOX
9608	8'	30
9609	9'	30
9610	10'	30
ARCHWAY		
9650	10'	30



350 Chamfer Bead® Splayed

- Fits a standard 135° outside corner
- Matches the profile of 350 Chamfer & Archway

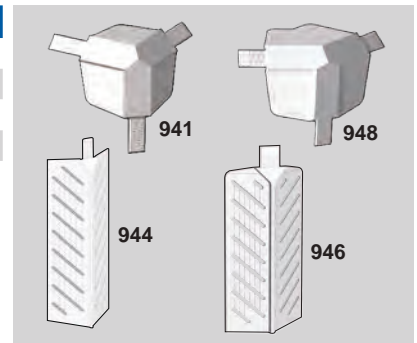
STOCK NO.	LENGTH	PCS. PER BOX
9670	10'	20



350 Chamfer Bead® Molded Corners & Accessories

- Quickly finish corners where multiple beads meet with a molded corner
- Base adapters transition bead to a 90° corner for installing baseboard
- Stock #946 is compatible with 350 Chamfer and Chamfer

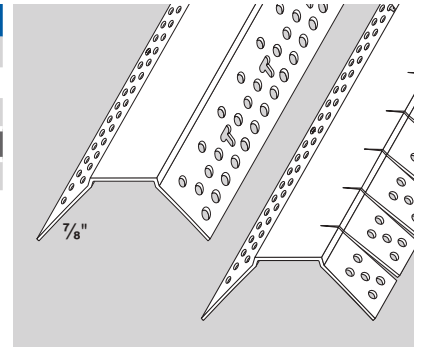
STOCK NO.	350 CHAMFER STYLE	PCS. PER BOX
941	3-Way	50
944	6 1/2" Base Adapter	50
946	5 3/4" Splayed Base Adapter	25
948	Off-Angle 3-Way	25



Chamfer Bead® & Archway

- A larger 1 7/8" wide chamfered edge softens the room while producing a crisp look with great shadows
- Archway minimum 18" inside radius or 24" outside radius

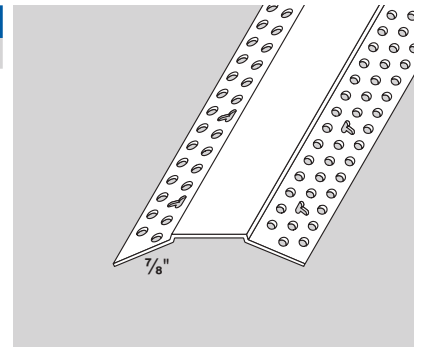
STOCK NO.	LENGTH	PCS. PER BOX
9508	8'	30
9509	9'	30
9510	10'	30
ARCHWAY		
9550	10'	30



Chamfer Bead® Splayed

- Fits a standard 135° outside corner
- Matches the profile of Chamfer Bead® & Archway

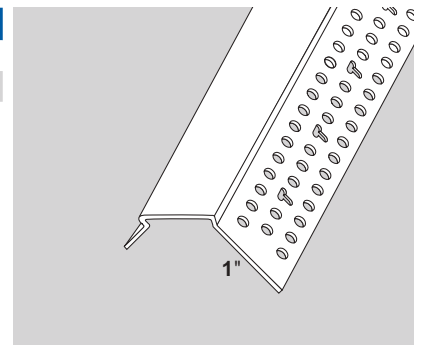
STOCK NO.	LENGTH	PCS. PER BOX
9570	10'	20



Chamfer Bead® Kerfed

- Can be used to finish windows and doors with kerfed grooves

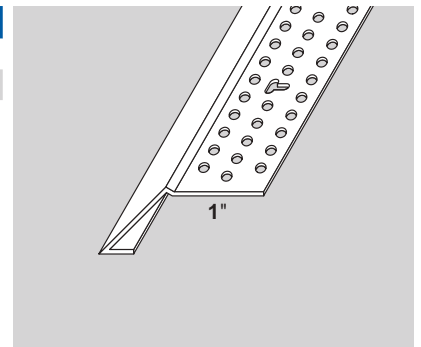
STOCK NO.	SIZE	LENGTH	PCS. PER BOX
9580	1/2"	10'	30
9590	5/8"	10'	30



Chamfer Stop

- Chamfer Stop is designed to be installed after the drywall; there is no need to wrap the bead behind the drywall
- Use Chamfer Stop for finishing windows and doors creating beautiful multi-layer drywall effects, instead of wood moldings

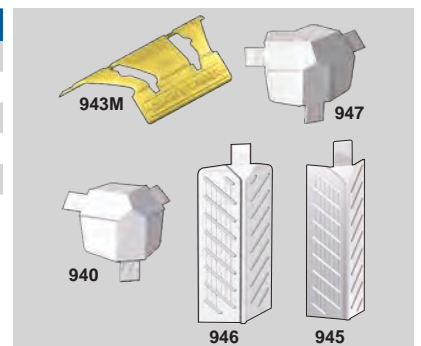
STOCK NO.	SIZE	LENGTH	PCS. PER BOX
9530	1/2"	10'	30
9520	5/8"	10'	30

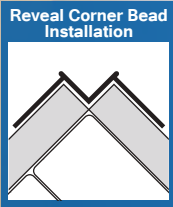


Chamfer Bead® Molded Corners & Accessories

- Quickly finish corners where multiple beads meet with a molded corner
- Base adapters transition bead to a 90° corner for installing baseboard
- Stock #946 is compatible with 350 Chamfer and Chamfer
- Cut perfect miters with the Miter Marker

STOCK NO.	CHAMFER STYLE	PCS. PER BOX
940	3-Way	50
943M	Miter Marker	10
945	6 3/4" Base Adapter	50
946	6" Splayed Base Adapter	25
947	Off-Angle 3-Way	25



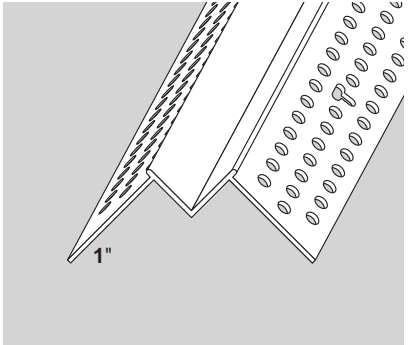


DECORATIVE CORNERS

Reveal Corner Bead

STOCK NO.	LENGTH	PCS. PER BOX
9910	10'	30

- Designed to add a reveal detail to a 90° outside corner
- Matches the ½" architectural series Reveal, Shadow, and L beads
- For use with ½" or ⅝" drywall



ARTY QUICK TIP #2:

Get your work to stand out from the crowd by combining decorative corner beads and layers of drywall to create custom crafted trim for windows and doorways.





Code Compliance

Designed to last

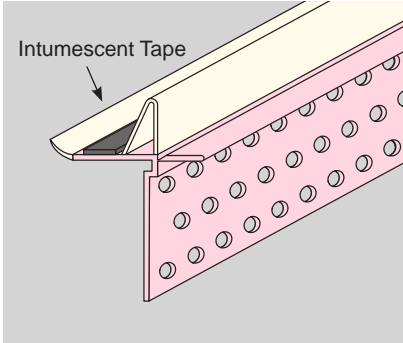




Fire Bead™

- Fire rated wall mount deflection bead
- Provides 1 or 2-hour fire-ratings for both dynamic and static joints according to UL-2079 5th edition (for both standard walls and shaft walls)
- Sound tested according to ASTM E90

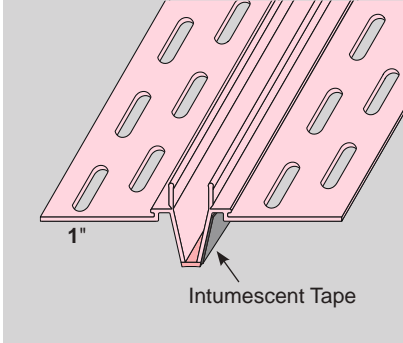
STOCK NO.	LENGTH	PCS. PER BOX
9250 - 1hr	10'	12
9260 - 2hr	10'	12



Fire Rated 093V Expansion

- Deep rigid "V" is joined at the bottom with a flexible connection allowing for 3/8" in controlled movement
- Pink coloring indicates to inspector fire rated products
- Listed under U300- and U400-Series Wall or Partition Design in the UL Fire Resistance Directory

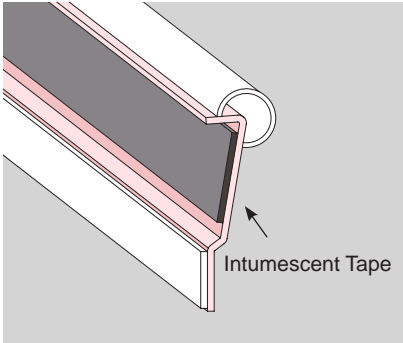
STOCK NO.	LENGTH	PCS. PER BOX
093X-V	10'	20



Fire Gasket™

- Fire rated composite vinyl intumescent accessory provides fire-ratings for dynamic and static joints with concrete and fluted deck assemblies
- L-rating of less than 1 CFM provides 1" & 1.5" of unencumbered movement and is sound tested according to ASTM E90

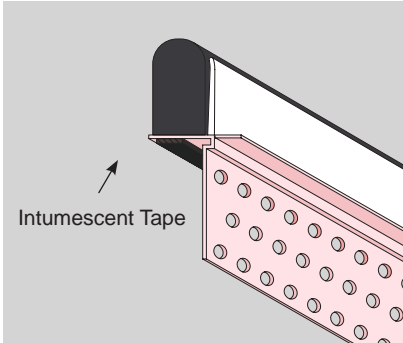
STOCK NO.	SIZE	LENGTH	PCS. PER BOX
9270	1"	10'	20
9265	1/2"	10'	20
9275	1 1/2"	10'	20



Hotrod XL™

- Composite vinyl/intumescent firestopping accessory is fully cured
- Made from rust proof, dent resistant PVC to reduce jobsite and handling damage
- 5/16" tear-off strip that guides application of joint compound without masking off adjoining surfaces

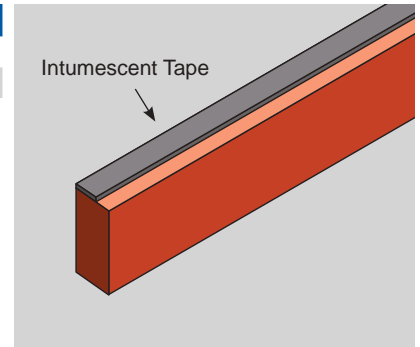
STOCK NO.	LENGTH	PCS. PER BOX
9280	10'	10



Hotrod Type-X®

- Compressible intumescent firestopping without spray over mineral wool (for both standard walls and shaft walls)
- Rectangular profile is easily compressed into the deflection gap between the edge of the drywall and adjoining structure

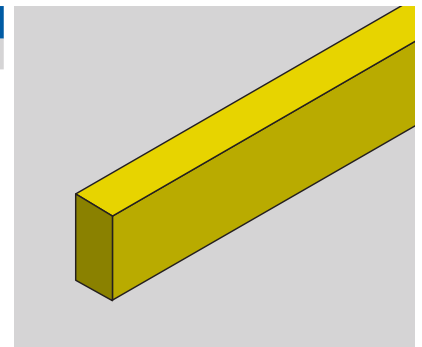
STOCK NO.	A	B	LENGTH	PCS. PER BOX
9284	½"	1"	4'	20
9285	1"	1"	4'	10



Smoke & Sound Stop

- Compressible rectangular foam provides a flexible backing for smoke and sound abatement at interior building joints
- Continuous lengths of flexible, fabricated open cell polyurethane
- Free from dry, loose material
- Free from frost, not recommended for wet areas

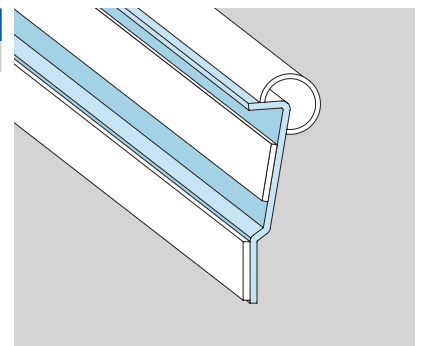
STOCK NO.	LENGTH	PCS. PER BOX
9286	1080'	1 Roll



Sound Gasket™

- Vinyl accessory provides smoke and sound ratings for dynamic and static joints
- Unique vinyl profile provides a seal along the inside leg to prevent sound flanking along the leg of the slotted and framing screws, while the outer bubble gasket will compress to seal against uneven concrete

STOCK NO.	LENGTH	PCS. PER BOX
9290	10"	20





Commercial Beads

Engineered solutions for any project



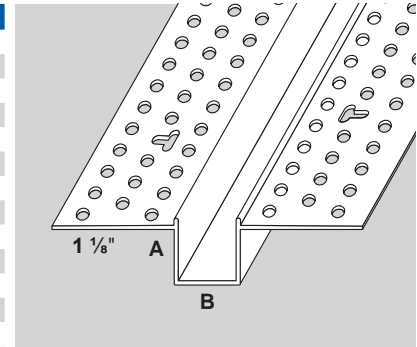


SHADOW & REVEAL BEADS

Architectural Reveal Bead

- Creates the sharpest, cleanest aesthetic reveals in drywall with up to 1/8" of built in expansion
- No backing or blocking needed
- See Page 1 for Radius Reveal Chart

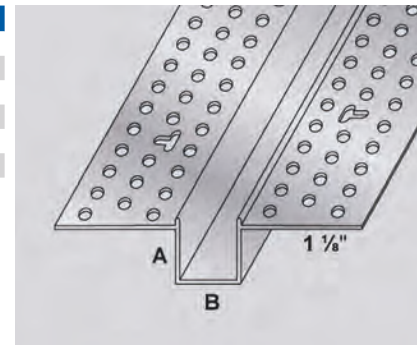
STOCK NO.	A+B SIZE	LENGTH	PCS. PER BOX
AS5150	1/4" x 1/4"	10'	25
AS5170	1/4" x 3/4"	10'	15
AS5130	3/8" x 3/8"	10'	20
AS5160	1/2" x 1/4"	10'	20
AS5110	1/2" x 1/2"	10'	20
AS5210	1/2" x 3/4"	10'	15
AS5310	1/2" x 1"	10'	15
AS5315	1/2" x 2"	10'	10
AS5320	3/8" x 1/2"	10'	15
AS5325	3/8" x 5/8"	10'	15
AS5330	3/8" x 3/4"	10'	15
AS5340	3/8" x 1"	10'	12
AS5345	3/8" x 1 1/2"	10'	10
AS5350	3/8" x 2"	10'	10



Silver Architectural Reveal Bead

- Designed to match the anodized finish of aluminum reveals and create details in walls and ceilings that allows for up to 1/8" expansion
- See Page 1 for Radius Reveal Chart

STOCK NO.	A+B SIZE	LENGTH	PCS. PER BOX
AS5110S	1/2" x 1/2"	10'	20
AS5210S	1/2" x 3/4"	10'	15
AS5310S	1/2" x 1"	10'	15
AS5320S	3/8" x 1/2"	10'	15
AS5330S	3/8" x 3/4"	10'	15
AS5340S	3/8" x 1"	10'	12

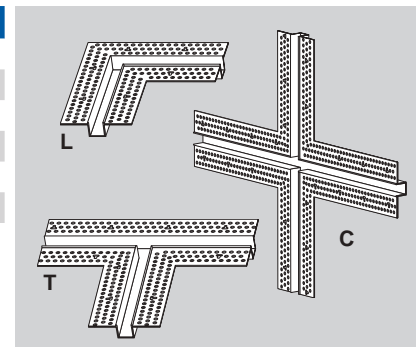


Architectural Intersections

- Designed to match Trim-Tex Architectural Reveal Beads
- Custom sized intersections are available with a minimum order quantity of 30 pieces; call for details
- Intersection legs extend 3"
- Contact Customer Service for Silver Architectural Intersections

STOCK NO.	SIZE	PCS. PER BOX
AS500*	1/4" x 1/4"	10
AS510*	1/2" x 1/2"	10
AS520*	1/2" x 3/4"	10
AS530*	1/2" x 1"	10
AS540*	3/8" x 1/2"	10
AS550*	3/8" x 3/8"	10

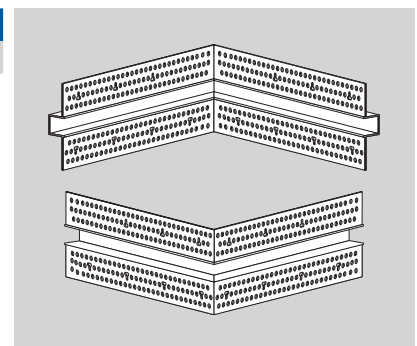
Substitute * with T, C, or L to indicate desired intersection



Custom Intersections

- Inside and outside corner intersections, or intersections with lengths different than the standard, are available as a special order with a minimum order quantity of 50 pieces
- Please call to request a quote

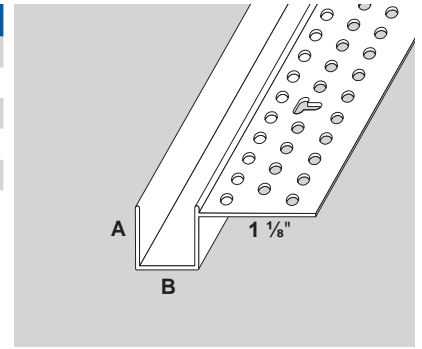
STOCK NO.	PCS. PER BOX
SPINT##	Custom



Architectural F Reveal Bead

- Creates the sharpest clean edge reveal effect when butting up to a door jamb, window, and other unfinished interior architectural components

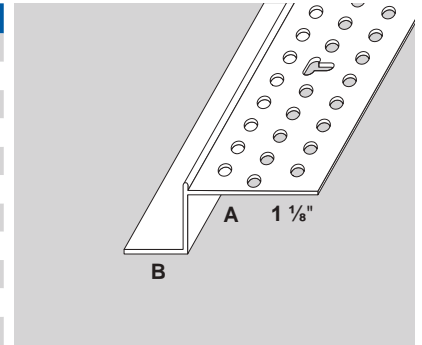
STOCK NO.	A+B SIZE	LENGTH	PCS. PER BOX
AS8710	1/2" x 1/2"	10'	25
AS8720	3/8" x 3/8"	10'	25
AS8730	1/2" x 3/4"	10'	20
AS8740	1/2" x 1"	10'	15
AS8750	5/8" x 5/8"	10'	20



Architectural Z Shadow Bead

- Creates the sharpest clean edge reveal effect when butting up to ceilings, base trim, and other finished interior architectural components

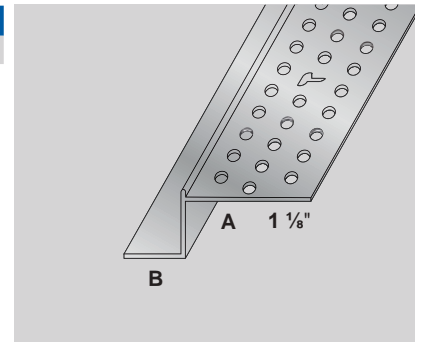
STOCK NO.	A+B SIZE	LENGTH	PCS. PER BOX
AS5450	1/4" x 1/2"	10'	30
AS5410	1/2" x 1/4"	10'	50
AS5510	1/2" x 1/2"	10'	50
AS5610	1/2" x 3/4"	10'	50
AS5650	1/2" x 1"	10'	30
AS5710	5/8" x 1/4"	10'	50
AS5750	5/8" x 3/8"	10'	50
AS5810	5/8" x 1/2"	10'	50
AS6010	5/8" x 5/8"	10'	50
AS5910	5/8" x 3/4"	10'	50
AS5960	5/8" x 1 1/4"	10'	25



Silver Architectural Z Shadow Bead

- Designed to match the anodized finish of aluminum shadow bead and create details in walls and ceilings that allows for up to 1/8" expansion

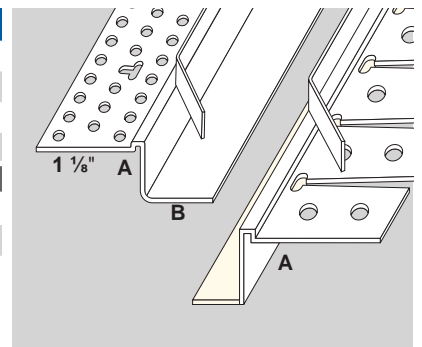
STOCK NO.	A+B SIZE	LENGTH	PCS. PER BOX
AS5510S	1/2" x 1/2"	10'	50



Tear Away® Shadow Bead & Archway with Flexible Leg

- Create a reveal effect when butting up to ceilings, base trims, and other finished interior architectural components
- Features tear off strip that leaves a clean finished edge
- Archway minimum 48" inside radius or 24" outside radius

STOCK NO.	A+B SIZE	LENGTH	PCS. PER BOX
5510T	1/2" x 1/2"	10'	25
5520T	3/8" x 3/8"	10'	25
5530T	1/4" x 1/4"	10'	25
5810T	5/8" x 1/2"	10'	25
ARCHWAY			
5550T	3/8" x 3/8"	10'	25
5560T	1/2" x 1/2"	10'	25



ARTY QUICK TIP #3:

Save time and money on reveal install, Trim-Tex Shadow and Reveal beads are made from flexible vinyl that forms to the surface of curved walls without the need to custom order.

See Page 1 for Radius Reveal Chart.



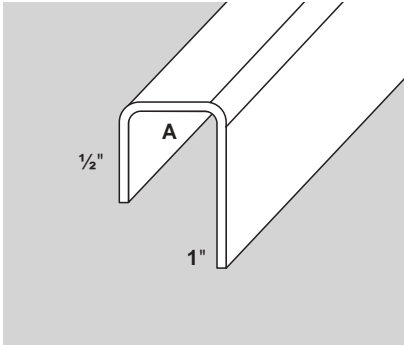


J BEADS

J Bead

- Finishes exposed drywall ends
- Trim-Tex's first product designed to replace galvanized metal, launching rigid vinyl into the drywall industry
- Won't rust or dent, decreasing building maintenance costs

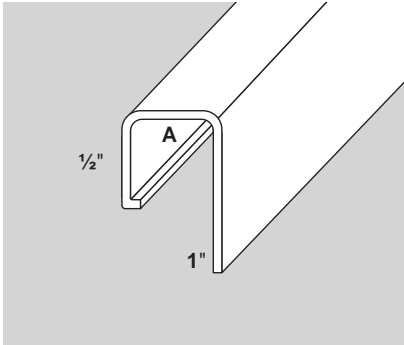
STOCK NO.	A SIZE	LENGTH	PCS. PER BOX
2010	1/4"	10'	50
1010	3/8"	10'	50
1108	1/2"	8'	50
1110	1/2"	10'	50
1208	5/8"	8'	50
1210	5/8"	10'	50
2410	3/4"	10'	50
2610	1"	10'	35



Shadow Line J Bead

- Forms a distinctive edge along drywall for a modern look
- Slips over the drywall to create a finished edge without needing a mud flange

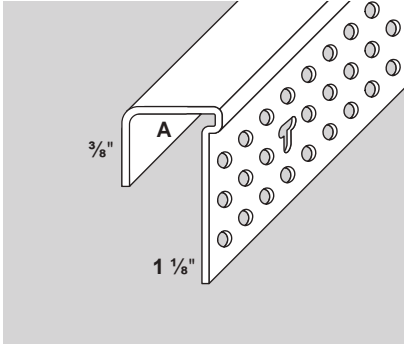
STOCK NO.	A SIZE	LENGTH	PCS. PER BOX
1308	1/2"	8'	50
1310	1/2"	10'	50
1408	5/8"	8'	50
1410	5/8"	10'	50



Mud On J Bead

- Butts drywall to other substrates such as masonry, glass, doors & windows
- Perfect for skylight shafts
- Commonly known as "LC" bead

STOCK NO.	A SIZE	LENGTH	PCS. PER BOX
1708	1/2"	8'	50
1710	1/2"	10'	50
1808	5/8"	8'	50
1810	5/8"	10'	50



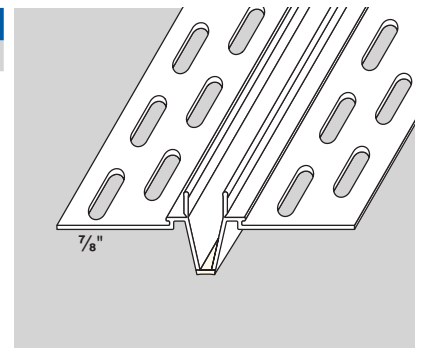


EXPANSION BEADS

093V Expansion

- Deep rigid "V" is joined at the bottom with a flexible connection allowing for $\frac{3}{8}$ " in controlled movement
- Tear off strips protect the center from mud, and act as guide for a taping knife
- Requires proper backing on fire rated walls

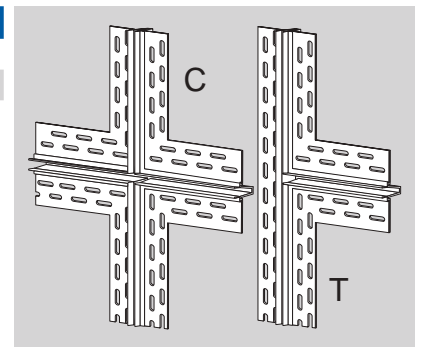
STOCK NO.	LENGTH	PCS. PER BOX
093V	10'	20



093V Intersections

- Deep rigid "V" is joined at the bottom with a flexible connection allowing for $\frac{3}{8}$ " in controlled movement
- Tear off strips protect the center from mud, and act as guide for a taping knife
- Requires proper backing on fire rated walls
- Intersection legs extend 3"

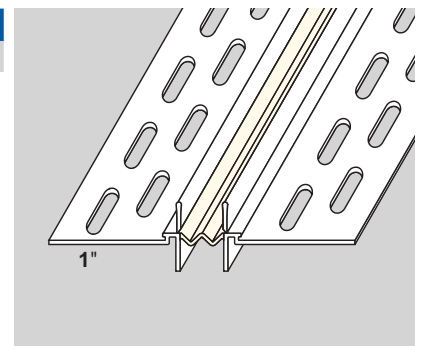
STOCK NO.	PCS. PER BOX
093VC	10
093VT	10



Hideaway Expansion

- A low profile alternative to stock #093V, the soft center "W" flexes for $\frac{3}{8}$ " in controlled movement
- Tear off strips protect the center from mud, and act as guide for a taping knife
- Requires proper backing on fire rated walls

STOCK NO.	LENGTH	PCS. PER BOX
2710	10'	25



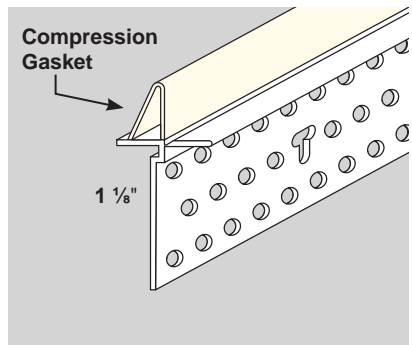


DEFLECTION BEADS

Wall Mounted Deflection Bead

- Prevents ceiling joint cracking due to structural movement or deflection
- A co-extruded flexible gasket compresses and expands, providing protection for up to 7/16" of deflection
- Tear off strip leaves a clean finished edge
- Requires proper backing on fire rated walls

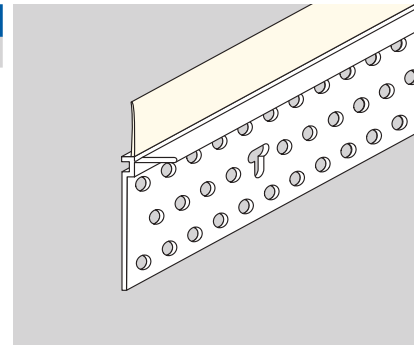
STOCK NO.	LENGTH	PCS. PER BOX
9220	10'	48



Flat Deflection Bead

- Prevents ceiling joint cracking due to deflection
- Backing material fills head of wall gap

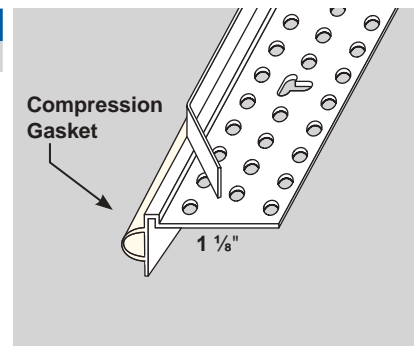
STOCK NO.	LENGTH	PCS. PER BOX
9230	10'	60

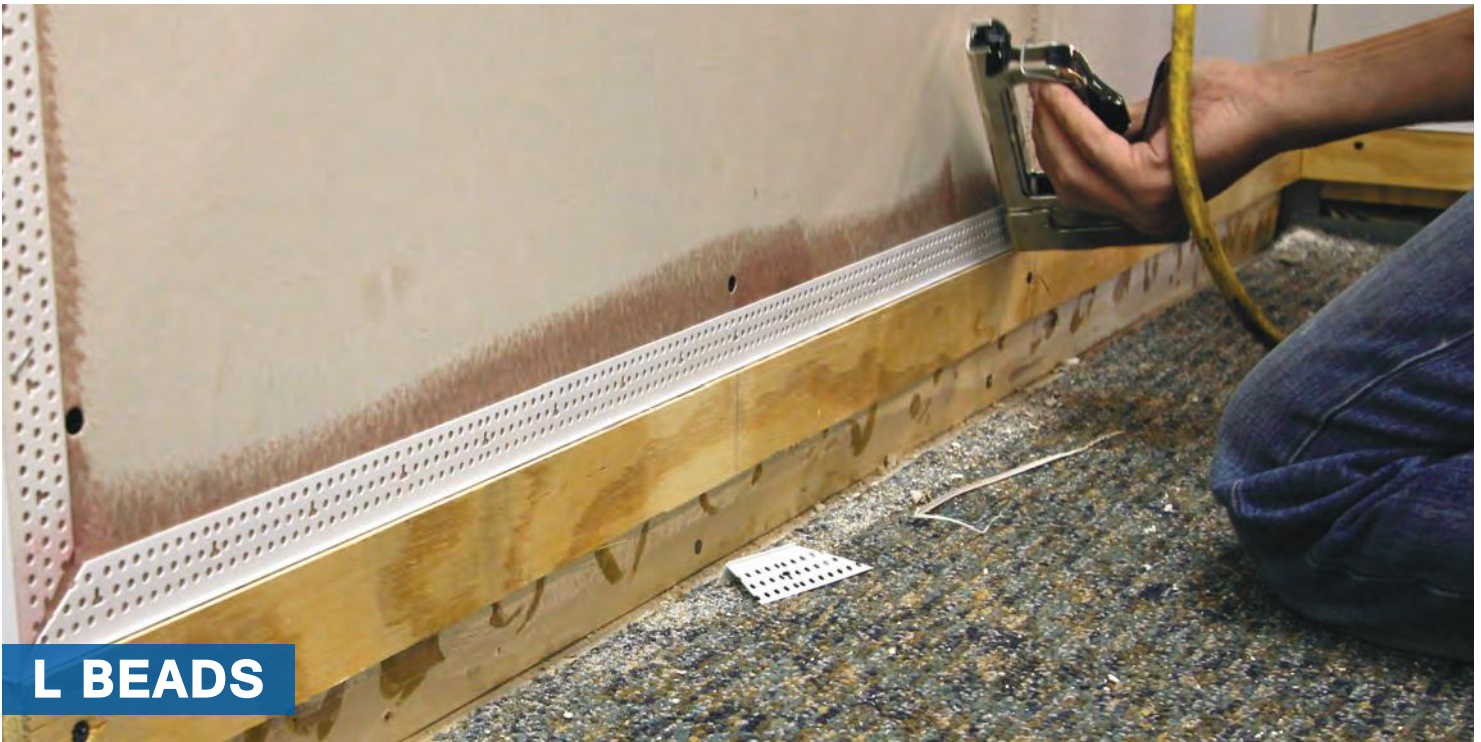


Super Seal Tear Away® L Bead

- Use to seal around windows, doors, and where drywall butts up to a concrete wall
- Gasket compresses upon installation to form a permanent seal that provides structural relief at the panel perimeter
- Ideal where suspended drywall ceilings meet the exterior of a building

STOCK NO.	SIZE	LENGTH	PCS. PER BOX
9210	3/8"	10'	25

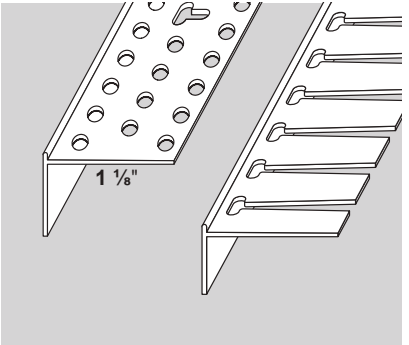




Architectural L Bead & Archway

- Finish the exposed edge of drywall with the sharpest and cleanest L bead on the market
- Archway is great around duct work and piping and for finishing columns, curved walls and soffits
- Archway minimum 6" inside radius or 8" outside radius

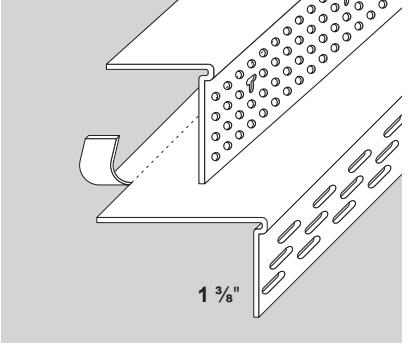
STOCK NO.	SIZE	LENGTH	PCS. PER BOX
AS3204	¼"	10'	80
AS3206	⅜"	10'	80
AS3210	½"	10'	80
AS3310	⅝"	10'	80
AS3410	¾"	10'	50
AS3450	⅞"	10'	50
AS3510	1"	10'	50
AS3610	1¼"	10'	50
AS3650	1½"	10'	50
ARCHWAY			
AS3266	⅜"	10'	50
AS3288	½"	10'	50
AS3299	⅝"	10'	50



Oversized L Beads

- Replaces paper tape, which can be a food source for mold in damp environments
- Extra wide 2¼" mud leg spans gap between drywall and flange, uses less mud than filling the gap
- Features a tear off strip that protects the shower/tub flange from mud, leaving a clean crisp finished edge with no mess
- Stock #9358 is recommended for use with ½" drywall
- Stock #9368 is recommended for use with ⅝" drywall

STOCK NO.	SIZE	LENGTH	PCS. PER BOX
3611	2¼" & 2½"	10'	30



ARTY QUICK TIP #4:

Create interior upgrades for any room by cutting shapes from drywall and finishing the edges with an L Bead!

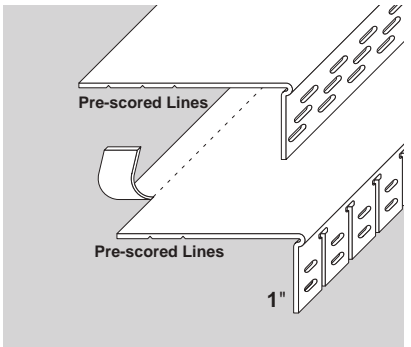




Super L Bead & Archway

- Has a 3 1/8" return leg, and is pre-scored at 2 5/8", 2 1/8" and 1 5/8"
- Archway is ideal for finishing arched window returns

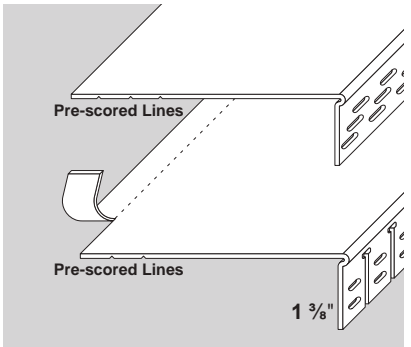
STOCK NO.	LENGTH	PCS. PER BOX
3708	8'	30
3710	10'	30
3712	12'	30
ARCHWAY		
3810	10'	30



Giant L Bead & Archway

- Giant L Bead has a 5 5/8" return leg and is pre-scored at 4 13/16", 4 5/16" and 3 13/16"
- Archway is ideal for finishing arched window returns

STOCK NO.	LENGTH	PCS. PER BOX
3850	10'	20
ARCHWAY		
3860	10'	20



ARTY QUICK TIP #5:
 Save time on finishing window returns. Use a Super or Giant L Bead, apply adhesive onto the return and apply mud to the mud leg.



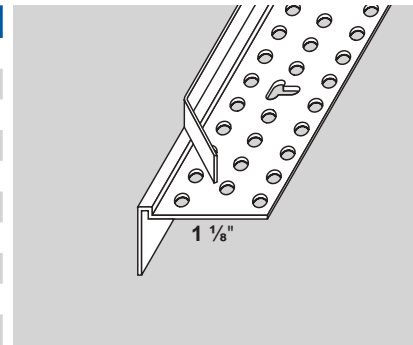


TEAR AWAY® BEADS

Tear Away® L Bead

- Used to finish exposed drywall edges
- Features a tear off strip that acts as a guide for the taping knife as well as a protective mask for mudding
- Available in money saving bulk quantities

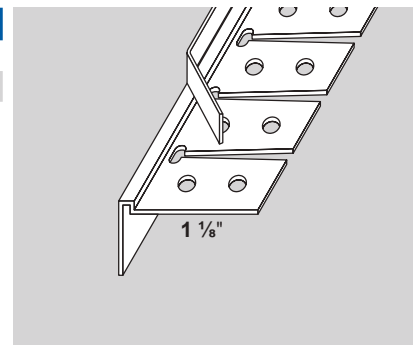
STOCK NO.	SIZE	LENGTH	PCS. PER BOX
9002	¼"	10'	50
9004	⅜"	10'	50
9008	½"	8'	50
9010	½"	10'	50
9010-Bulk	½"	10'	100
9012	½"	12'	50
9108	⅝"	8'	50
9110	⅝"	10'	50
9110-Bulk	⅝"	10'	100
9310	1 ¼"	10'	25



Tear Away® L Bead Archway

- Used to finish exposed drywall edges
- Features a tear off strip that acts as a guide for the taping knife as well as a protective mask for mudding
- Archway minimum 10" inside radius or 12" outside radius

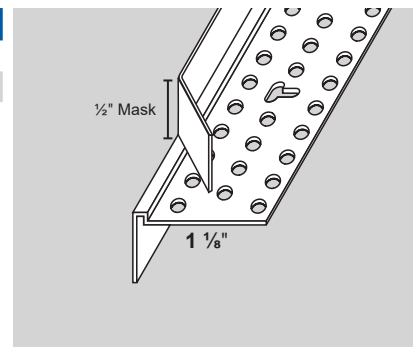
STOCK NO.	SIZE	LENGTH	PCS. PER BOX
9050	½"	10'	20
9150	⅝"	10'	20



Tear Away® XT L Bead

- Used to finish exposed drywall edges
- Extra tall ½" tear off strip acts as a guide for the taping knife as well as a protective mask for mudding

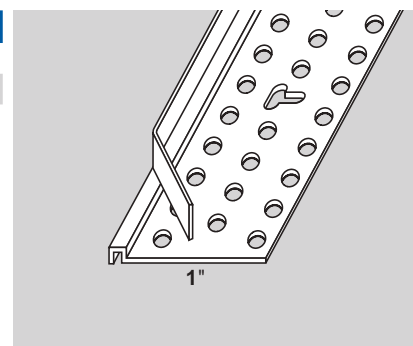
STOCK NO.	SIZE	LENGTH	PCS. PER BOX
9010XT	½"	10'	30
9110XT	⅝"	10'	30



Flat Tear Away® L Bead

- Flat Tear Away® is designed for areas with tightly butted seams making a return leg impractical
- Features a tear off strip that acts as a guide for the taping knife as well as a protective mask for mudding
- Available in money saving bulk quantities

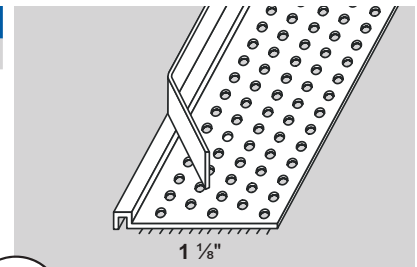
STOCK NO.	SIZE	LENGTH	PCS. PER BOX
9000	Flat	10'	50
9000-Bulk	Flat	10'	100



Mud Set Flat Tear Away®

- Features extra long tear off strip
- Creates a finished edge where drywall terminates at other substrates or building components such as windows and doors
- Features Mud Lock Technology® with 3X the bonding surface for easy mud set installation

STOCK NO.	LENGTH	PCS. PER BOX
MS9000XT	10'	40

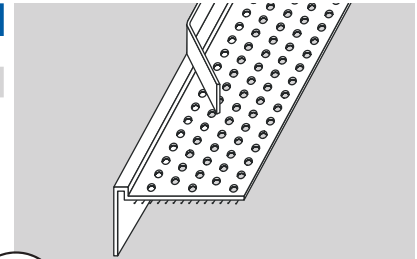


MUD LOCK TECHNOLOGY®
FOR MORE BONDING SURFACE

Mud Set Tear Away® L Bead

- Features extra long tear off strip
- Creates a finished edge where drywall terminates at other substrates or building components such as windows and doors
- Features Mud Lock Technology® with 3X the bonding surface for easy mud set installation

STOCK NO.	SIZE	LENGTH	PCS. PER BOX
MS9010XT	1/2"	10'	30
MS9110XT	5/8"	10'	30

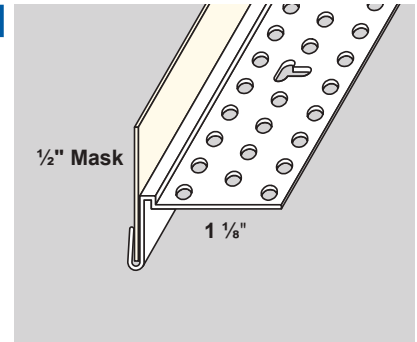


MUD LOCK TECHNOLOGY®
FOR MORE BONDING SURFACE

Pullaway® L Bead

- Used to create a finished edge when butting drywall up to another substrate
- Easily removable pull out strip provides 1/2" of protection from mud and also acts as a guide for the taping knife

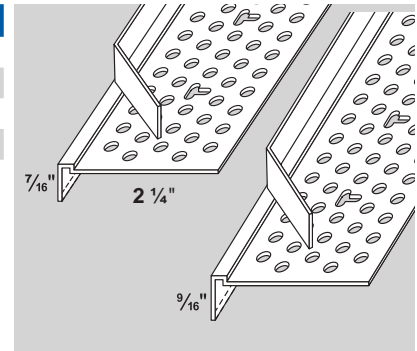
STOCK NO.	SIZE	LENGTH	PCS. PER BOX
3010	1/2"	10'	35



Oversized Tear Away® L Bead

- Replaces paper tape, which can be a food source for mold in damp environments
- Extra wide 2 1/4" mud leg spans gap between drywall and flange, uses less mud than filling the gap
- Features a tear off strip that protects the shower/tub flange from mud, leaving a clean crisp finished edge with no mess
- Stock #9358 is recommended for use with 1/2" drywall
- Stock #9368 is recommended for use with 5/8" drywall
- Also known as Shower Bead

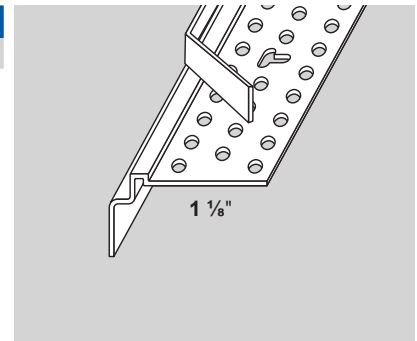
STOCK NO.	SIZE	LENGTH	PCS. PER BOX
9358	7/16"	8'	25
9368	9/16"	8'	25
9350	7/16"	10'	25
9360	9/16"	10'	25



Caulk Channel Tear Away®

- Creates a 1/4" x 3/16" caulk channel when installed against a substrate such as a concrete wall
- Features a 5/16" tear off strip that acts as a guide for the taping knife as well as a protective mask for mudding
- Can also be used to cover expansion joints filled with fire or acoustical caulk
- Can be used with 1/2" or 5/8" drywall

STOCK NO.	LENGTH	PCS. PER BOX
9140	10'	40

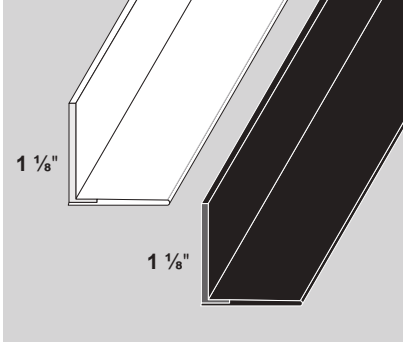




Flex Grid Angle®

- The ultimate way to finish an acoustical ceiling terminating at any curved wall or surface
- Will finish columns 5 ½" radius or larger, stock #8158 & stock #8178 will finish a minimum inside radius of 60"
- For inside radii as small as 18", use stock #8159 or stock #8179

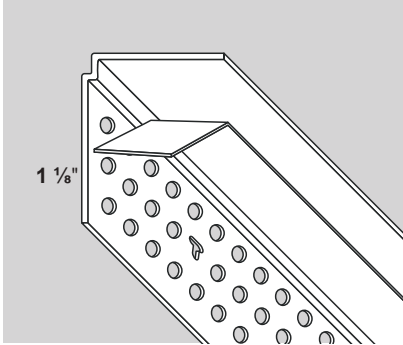
STOCK NO.	SIZE	LENGTH	PCS. PER BOX
WHITE			
8158M	7/8"	8'	10
8158	7/8"	8'	63
8159	9/16"	8'	63
BLACK			
8178M	7/8"	8'	10



Mud On Ceiling Bead

- Use wherever a new wall is butted to an existing drop ceiling
- Tear off strip protects the visible flange from compound for easy clean up

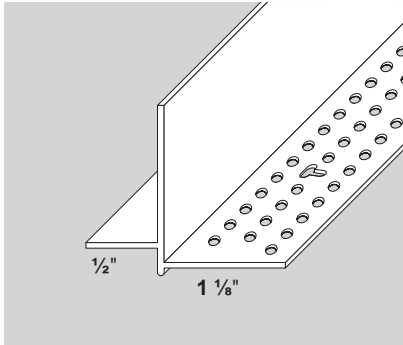
STOCK NO.	SIZE	LENGTH	PCS. PER BOX
5010	7/8"	10'	40
5012	7/8"	12'	40
5020	9/16"	10'	40



Architectural Access Door Bead

- Creates crisp, clean transitions between ceiling and access panel with a subtle ¼" step
- Provides a flange for access door to rest on
- Can be used to trim 2' X 2' commercial light fixtures when installed in drywall ceiling

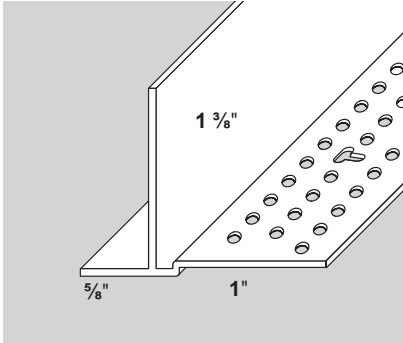
STOCK NO.	LENGTH	PCS. PER BOX
AS8020	10'	12



Access Door Bead (original)

- Designed for finishing drywall around access doors
- Provides a flange for access doors to rest on

STOCK NO.	LENGTH	PCS. PER BOX
8020	10'	12



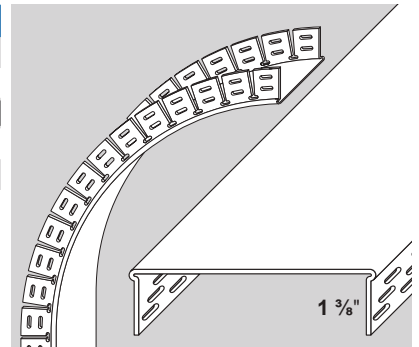


FAST CAP® BEADS

Fast Cap® & Archway

- Finish doorways, wall ends, knee walls, and closets by eliminating the need for the drywall face and 2 corner beads
- 4 5/8" Fast Cap is designed for 2' x 4' wood studs only
- 4 7/8" Fast Cap can be used with wood studs or 3 5/8" metal studs
- Archway minimum 15" inside radius or 28" outside radius

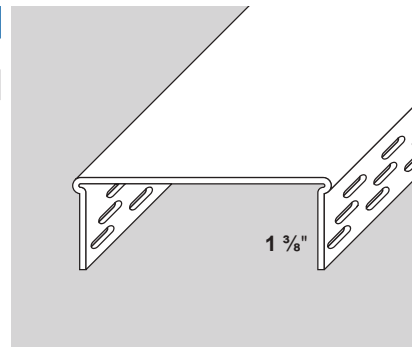
STOCK NO.	SIZE	LENGTH	PCS. PER BOX
4410	4 5/8"	10'	10
4510	4 7/8"	10'	10
ARCHWAY			
4610	4 5/8"	10'	10
4710	4 7/8"	10'	10



Wall Fast Cap® for 2 1/2" Metal Studs

- Same great features as Fast Cap but designed to be used with 2 1/2" metal studs
- 3 1/2" Fast Cap for 2 1/2" metal stud and 2 pieces of 1/2" drywall
- 3 3/4" Fast Cap for 2 1/2" metal stud and 2 pieces of 5/8" drywall

STOCK NO.	SIZE	LENGTH	PCS. PER BOX
4883	3 1/2"	10'	10
4810	3 3/4"	10'	10



ARTY QUICK TIP #6:

Finish walkthroughs and closet openings fast. Use a durable, paintable Fast Cap®, which eliminates the need to sand the return surface.





Tools & Accessories

Everything you need to get the job done





ADHESIVES & INSTALLATION PRODUCTS

847[®] Spray Adhesive

- 847 Spray Adhesive is a high tack, pressure sensitive spray adhesive designed and tested by our engineers to be used with Trim-Tex vinyl beads
- Trim-Tex 847 is recommended for installing expansion products such as Magic Corner, Hideaway Expansion and 093V Expansion
- Apply 847 to drywall and/or mud legs, then install bead immediately onto the drywall

STOCK NO.	PCS. PER BOX
847	1 case = 12 cans



Disposable Particulate Respirator

- Provides protection from dust
- Features foam nose pad and curved nose clip with latex-free head straps
- Built-in exhalation valve option
- Use in oil free environments
- NIOSH Approved
- Manufactured by Honeywell Safety Products

STOCK NO.	PCS. PER BOX
14110391	20
WITH EXHALATION VALVE	
14110394	20



Powdered Mud-Max[®]

- Improve the strength and adhesive performance of all drywall compounds, textures and plaster products
- Perfect for bonding paper, metal or vinyl beads to drywall and applying plaster products onto metal or vinyl beads
- One resealable 14 lb bucket of Powdered Mud-Max will treat up to 80 five gallon buckets/boxes of compound

STOCK NO.	VOLUME
855	14 lb bucket





STAPLING

Surebonder® 3-in-1 Staple Gun

- Designed to drive narrow crown staples, brad nails and pin nails
- Heavy duty all-steel construction
- Non slip grip
- Uses #4 heavy duty staples

STOCK NO.	PCS. PER BOX
864	1



Surebonder® Pneumatic Staple Gun

- Install beads at 10 times the speed
- Lightweight & ergonomic design
- Uses #4 heavy duty staples

STOCK NO.	PCS. PER BOX
865	1



Surebonder® 1/2" Chisel Point Staples

- Designed for use with stock #864 Surebonder® 3-in-1 Staple Gun and stock #865 Surebonder® Pneumatic Staple Gun
- Stainless Steel (stock #869) variant available for moist or humid environments

STOCK NO.	PCS. PER BOX
863	5000 staple boxes
STAINLESS STEEL	
869	1250 staple box





ABRASIVES

Black Widow® Pro Sander

- No-flip design
- 60% larger sanding surface
- Hook design molded into the tool
- All-in-one foam & grit quick change system
- Stock #540P includes 48" aluminum pole

STOCK NO.	DESCRIPTION	PCS. PER BOX
540	Sander	4
540P	Sander & Pole	4



Black Widow® Sanding Pads

- Designed for The Black Widow® Pro Sander
- 60% larger sanding surface
- All-in-one foam & grit quick change system
- ¼" thick foam

STOCK NO.	GRIT	PCS. PER BOX
560-FX	Extra Fine	24 (4 packs of 6)
560-F	Fine	24 (4 packs of 6)
560-M	Medium	24 (4 packs of 6)
560-C	Coarse	24 (4 packs of 6)
560-CX	Extra Coarse	24 (4 packs of 6)



Full Circle Sanding Tools

- Radius 360° Sanding Tool and accessories are available through Trim-Tex
- Features a die-cast aluminum head and wide pivot brackets for superior control

STOCK NO.	STYLE	PCS. PER BOX
360	360 Sanding Tool	6
360-PWRPD	9" Power Pad	6
362	Std. Foam Repl. Pad	6

STOCK NO.	STYLE	PCS. PER BOX
365-60	Sanding Disc 60 Grit	100
365-80	Sanding Disc 80 Grit	100
365-100	Sanding Disc 100 Grit	100
365-120	Sanding Disc 120 Grit	100
365-150	Sanding Disc 150 Grit	100
365-180	Sanding Disc 180 Grit	100
365-220	Sanding Disc 220 Grit	100
365-240	Sanding Disc 240 Grit	100
365-280	Sanding Disc 280 Grit	100
365-300	Sanding Disc 300 Grit	100



Dual Angle Dual Grit Sanding Block

- Features two tapered edges to simplify corner sanding and radius edges to prevent gouging and scuffing of compound
- 40% larger than standard blocks, measuring 5" x 3 1/4"

STOCK NO.	GRIT	PCS. PER BOX
885F	Fine/Fine	24
885F-BULK	Fine/Fine	100
885	Medium/Fine	24
885-BULK	Medium/Fine	100
885-IND*	Medium/Fine	24

*Also available individually sleeved

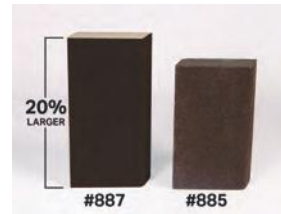


Patent# D480,619

Premium Dual Angle Sanding Block

- Features the same dual angle, dual grit design as the popular 885 line of products, but is made of a denser foam and coated with a premium grit for increased durability and longevity
- The block itself is also roughly 20% larger than our standard blocks

STOCK NO.	GRIT	PCS. PER BOX
887	Medium/Fine	16



Patent# D480,619

Single Angle Sanding Block

- Features a steep tapered edge, as well as the Trim-TEX exclusive radius corner to prevent scratching and gouging while the tapered edge prevents unintentional sanding of the opposite wall
- 40% larger than standard blocks

STOCK NO.	GRIT	PCS. PER BOX
888F	Fine	24
888F-BULK	Fine	100
888F-IND*	Fine	24
888M	Medium	24
888M-BULK	Medium	100
888M-IND*	Medium	24

*Also available individually sleeved



Patent# D480,619

Standard Sanding Block

- Standard size sanding block measures 2 3/4" x 1" x 4"
- Features the Trim-TEX exclusive radius edge which prevents unwanted scuffing and gouging

STOCK NO.	GRIT	PCS. PER BOX
883F	Fine	24
883F-BULK	Fine	180
883M	Medium	24
883M-BULK	Medium	180



Patent# D480,619

Sanding Sponges

- A 4" x 5" flexible sanding pad

STOCK NO.	GRIT	PCS. PER BOX
881	Fine	50 pc. Display Box

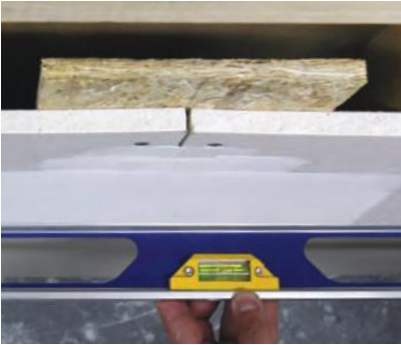




Buttboard™ Drywall Backer

- Creates a tapered edge that requires less joint compound to finish
- Available in 500pc skid quantities

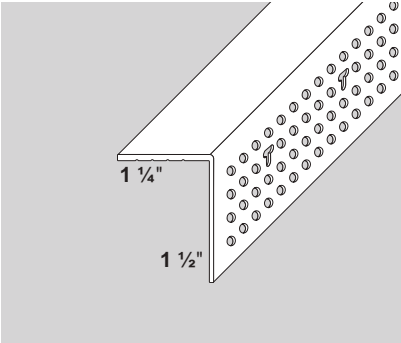
STOCK NO.	LENGTH	PCS. PER BOX
825	48"	12
826	54"	12
825S	48"	500
826S	54"	500



Truss Backing Angle

- Eliminates inside ceiling corner cracking due to truss uplift of interior partition walls
- Backing Angle may also be used where blocking is missing on inside corners
- Thick vinyl flange helps screws start easier
- May vary in color

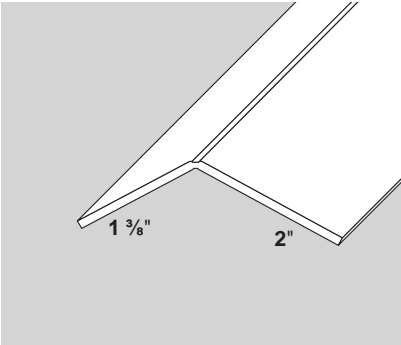
STOCK NO.	LENGTH	PCS. PER BOX
8050	10'	25



Vault Backing Angle

- Prevents cracks from forming along the peak of cathedral ceilings
- Creates perfectly straight peaks even with poorly aligned framing
- Thick vinyl flange helps screws start easier

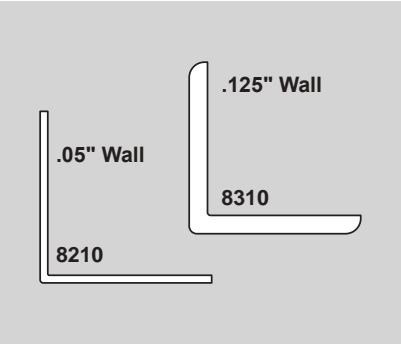
STOCK NO.	LENGTH	PCS. PER BOX
8060	10'	25



L Angles

- Protects 90° pre-finished wall systems
- Available in white only

STOCK NO.	SIZE	LENGTH	PCS. PER BOX
8210	1 1/2"	10'	50
8310	1 1/4"	10'	30





MUD SET TOOLS

Pro Series 4 in 1 Hopper

- Includes inserts for installing Bumper Corner Bead, 90° rigid, splayed, bullnose, and bullnose splayed
- Stock #390R includes only 2 wipers, one for 90° rigid bead and one for bullnose beads

STOCK NO.	DESCRIPTION	PCS. PER BOX
390	Hopper	1
390R	Replc. Rubber Wipers	1
390B	Replacement Base	1
390I	Replacement Gates	1
391	Stand	1



Pro Series Quad Rollers

- 4 self-aligning wheels apply even pressure to bead to ensure straight installation
- 54" aluminum pole included

STOCK NO.	STYLE	PCS. PER BOX
460	90° Mud Set	1
461	350 Bull	1
463	Fast Edge® Paper	1

TAPEPRO
DRYWALL TOOLS



Compound Applicator

- Designed to lay down a coat of compound for installing Trim-Tex Mud Set Beads
- Multiple Mud Heads available (sold separately)

STOCK NO.	LENGTH	PCS. PER BOX
450	36"	1

TAPEPRO
DRYWALL TOOLS



Mud Heads

- All Mud Heads are designed to be used with the Compound Applicator (stock #449, stock #450)
- Stock #451 is designed for installing any standard 90° outside corners
- Stock #452 is designed for installation of Mud Set Flat Tear Away
- Stock #453 applies mud to off-angle inside corners for Mud Set Magic Corner or Adjustable Inside Corner Bead
- Stock #455 is designed for installing Mud Set Rigid Jumbo Low Profile Corner Bead with 1 3/4" mud legs as well as Bullnose beads and Fast Edge® Paper
- Stock #456 is designed for installing Wall Mounted Deflection Bead
- Stock #457 applies enough compound to easily set fill coat over an installed Deflection or Tear Away bead

TAPEPRO
DRYWALL TOOLS



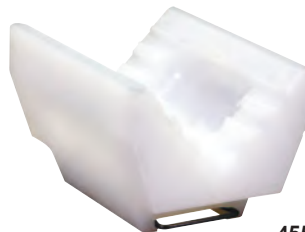
451



452



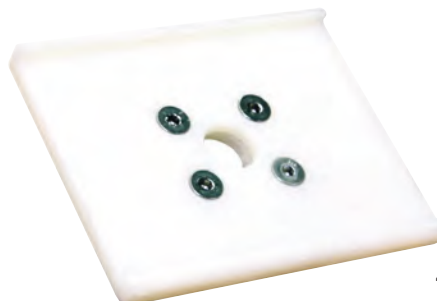
453



455



456



457



458

STOCK NO.	STYLE	PCS. PER BOX
451	90° Rigid	1
452	Single Edge	1
453	Manta Ray	1
455	Jumbo & Fast Edge® Paper	1
456	Deflection Bead	1
457	Fill Coat	1
458	Inside Mud Head	1



FLAT ACCESS DOOR PANELS

Pop-Out Flat Access Door

- Designed to blend in at locations where access is required at regular intervals
- Created from glass fiber reinforced gypsum for increased strength
- Available in both square or radius corner styles
- No surface preparation is required for finishing
- Panels are 5/8" thick
- The numbers listed are the actual sizes of the panel, not the rough opening

STOCK NO.	SIZE (")	STYLE
RC-09	9x9	Radius Corner
RC-12	12x12	Radius Corner
RC-16	16x16	Radius Corner
RC-18	18x18	Radius Corner
RC-24	24x24	Radius Corner
RC-2230	22x30	Radius Corner
RC-30	30x30	Radius Corner
SQ-09	9x9	Square Corner
SQ-12	12x12	Square Corner
SQ-16	16x16	Square Corner
SQ-18	18x18	Square Corner
SQ-24	24x24	Square Corner
SQ-2230	22x30	Square Corner
SQ-30	30x30	Square Corner



Hinged Flat Access Door

- Designed to blend in at locations where access is required at regular intervals
- Created from glass fiber reinforced gypsum for increased strength
- Available in both square or radius corner styles
- Latches available with straight slot or keyed lock styles
- No surface preparation is required for finishing
- Panels are 5/8" thick
- The numbers listed are the actual sizes of the panel, not the rough opening

STOCK NO.	SIZE (")	STYLE
RCHG-09	9x9	Slotted Radius Corner
RCHG-12	12x12	Slotted Radius Corner
RCHG-16	16x16	Slotted Radius Corner
RCHG-18	18x18	Slotted Radius Corner
RCHG-24	24x24	Slotted Radius Corner
RCHG-09-K	9x9	Keyed Radius Corner
RCHG-12-K	12x12	Keyed Radius Corner
RCHG-16-K	16x16	Keyed Radius Corner
RCHG-18-K	18x18	Keyed Radius Corner
RCHG-24-K	24x24	Keyed Radius Corner
SQHG-09	9x9	Slotted Square Corner
SQHG-12	12x12	Slotted Square Corner
SQHG-16	16x16	Slotted Square Corner
SQHG-18	18x18	Slotted Square Corner
SQHG-24	24x24	Slotted Square Corner
SQHG-09-K	9x9	Keyed Square Corner
SQHG-12-K	12x12	Keyed Square Corner
SQHG-16-K	16x16	Keyed Square Corner
SQHG-18-K	18x18	Keyed Square Corner
SQHG-24-K	24x24	Keyed Square Corner



Trademarks

Trim-Tex, Drywall Art, Pullaway, Tear Away, EZ Tray, MudSet Beads, Step a Bull, Auto Mixer, Chamfer Bead, Chamfer Stop, Chamfer 3 Way, Chamfer Marker, 350 Chamfer Bead, 350 Chamfer Arch, Magic Corner, Hideaway, 093V, Fast Cap, Mud on, Flex Grid Angle, 350 Bull, 350 Bull Arch, Miter Marker, Mud Max, Black Widow, Arch Plus, 847, Tex 11, 848, Fire Bead, Fire Gasket, Sound Gasket, Hotrod Type X and Hotrod XL are trademarks of Trim-Tex, Inc. Surebonder is trademark of FPC. 3M77 is a trademark of 3M.

Custom Lengths & Extrusions

Trim-Tex offers custom size lengths of existing product on a per-order basis, contact our customer service team for details. Custom shapes and extrusions are available upon request for orders of 10,000 linear feet or more. Tooling and die costs are separate, contact our customer service team for details and personalized quote.

Warranty

Trim-Tex, Inc. warrants that the products manufactured by Trim-Tex to be free from manufacturing defects when installed in accordance with the guidelines and instructions, where indicated, and in accordance to the customary and ordinary standards of the industry. Trim-Tex, Inc's sole responsibility shall be for the replacement of product only when it has been determined by Trim-Tex, Inc. that the product was defective as a result of manufacturing and not as a result of improper installation or handling. Trim-Tex assumed no liability or responsibility for any direct, indirect or consequential damages that may arise from the use of any product manufactured by Trim-Tex. Trim-Tex assumes no responsibility for any defective product not manufactured by Trim-Tex in which a product of Trim-Tex is attached to or made a part of said product. Neither Trim-Tex, its officers, agents or employees have the authority to make any other warranty either orally or in writing.

TRIM-TEX™

DRYWALL SOLUTIONS



trim-tex.com

customer service
1-800-874-2333
info@trim-tex.com

